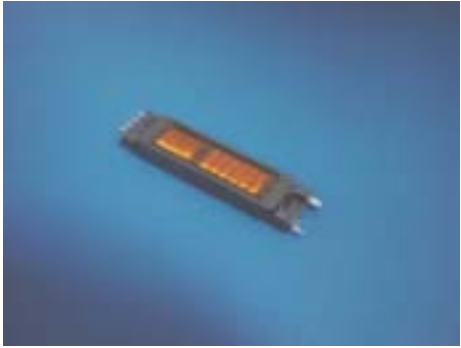
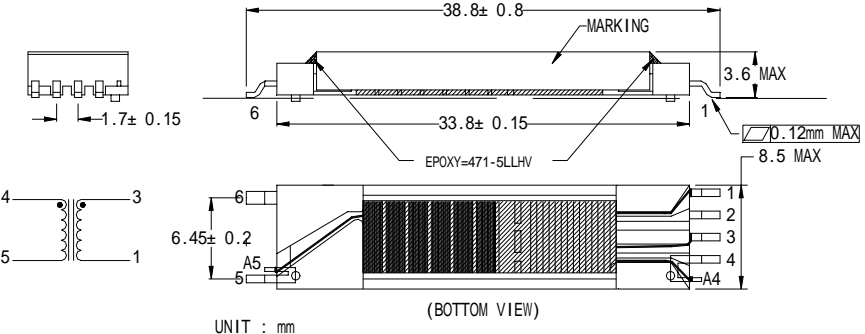

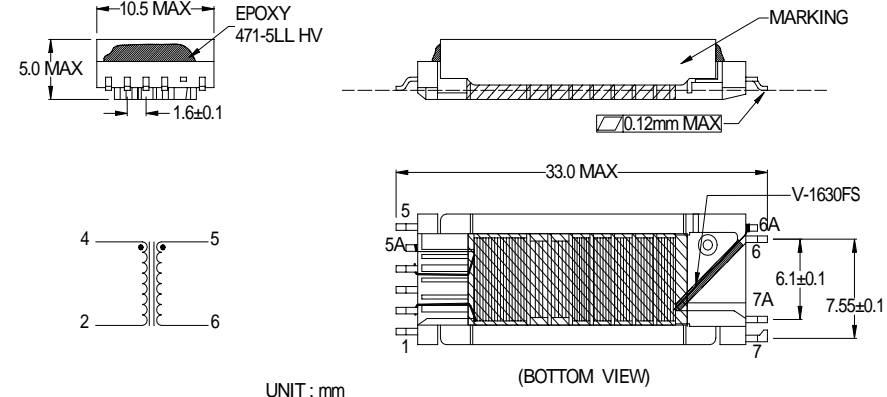


Inverter transformer for LCD Backlighting

Type :	FEATURES:	MECHANICAL DIMENSIONS:
<p>UI-8.3</p> 	<ol style="list-style-type: none"> Operating temperature range -10°C to +85°C. Open Voltage : 1800 Vrms MAX. Operational frequency : 40 KHz – 200 KHz. Lamp wattage : 4 Watts. 	
<p>UI-9.8</p> 	<ol style="list-style-type: none"> Operating temperature range -10°C to +85°C. Open voltage : 1800 Vrms MAX. Operational frequency : 40 KHz – 200 KHz. Lamp wattage : 4 Watts. 	

音律電子股份有限公司

台北縣三峽鎮中正路二段 218 號

電話 : (02) 2671-2071 ext 355

(大陸) 光順電子廠

中國廣東省東莞市大嶺山梅林管理站

e-mail : shirley@elytone.com.tw

Web site : <http://www.elytone.com.tw>

Elytone electronic Co., Ltd.

218, Sec. 2, Chung Cheng Road, San-Hsia 237,


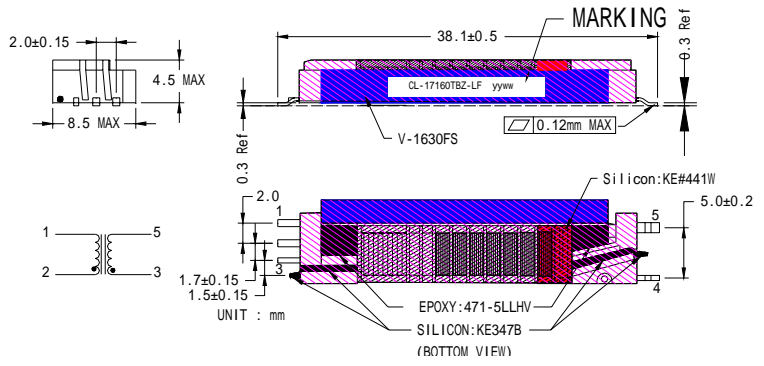

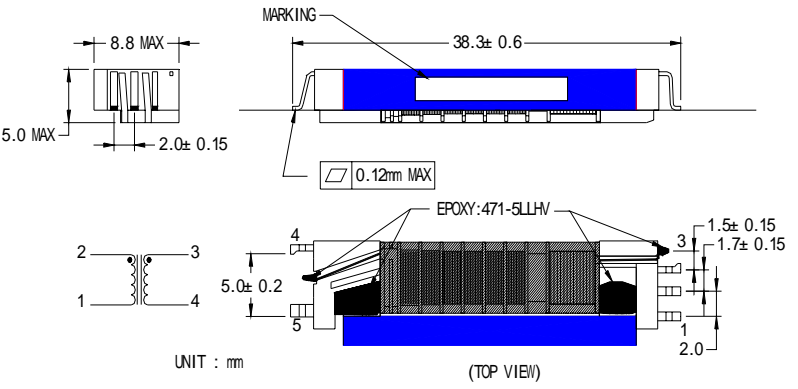
Taipei Hsien, Taiwan

Lightion

Mellin District, Da Ling Shan, Dong Guan,

Guang Dong , China

Inverter transformer for LCD Backlighting

Type :	FEATURES:	MECHANICAL DIMENSIONS:
<p>CI-8.0</p> 	<ol style="list-style-type: none"> 1. Operating temperature range -10°C to +85°C. 2. Open voltage : 1800 Vrms MAX. 3. Operational frequency : 40 KHz – 200 KHz. 4. Lamp wattage : 3.5 ~ 4 Watts. 	 <p>UNIT : mm</p>
<p>CI-8.5</p> 	<ol style="list-style-type: none"> 1. Operating temperature range -10°C to +85°C. 2. Open voltage : 1800 Vrms MAX. 3. Operational frequency : 40 KHz – 200 KHz. 4. Lamp wattage : 4 Watts. 	 <p>UNIT : mm</p>

音律電子股份有限公司

台北縣三峽鎮中正路二段 218 號

電話 : (02) 2671-2071 ext 355

(大陸) 光順電子廠

中國廣東省東莞市大嶺山梅林管理站

e-mail : shirley@elytone.com.tw

Web site : <http://www.elytone.com.tw>

Elytone electronic Co., Ltd.

218, Sec. 2, Chung Cheng Road, San-Hsia 237,


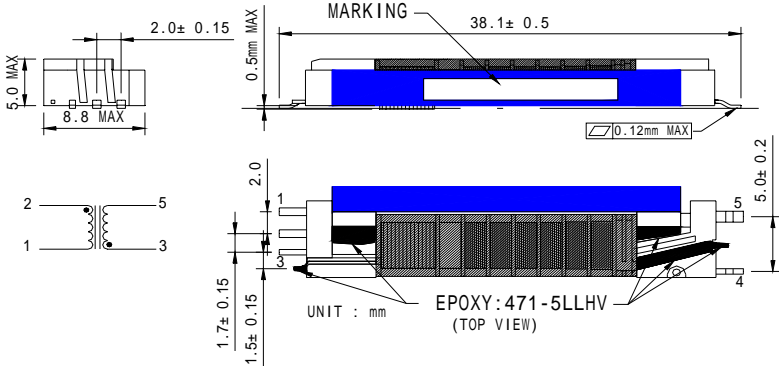

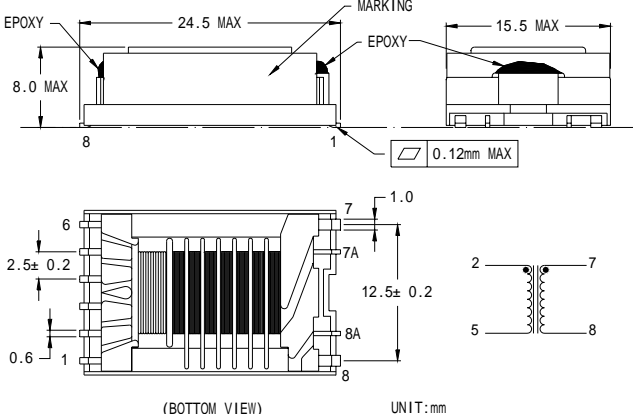
Taipei Hsien, Taiwan

Lightion

Mellin District, Da Ling Shan, Dong Guan,

Guang Dong , China

Inverter transformer for LCD Backlighting

Type :	FEATURES:	MECHANICAL DIMENSIONS:
<p>CI-8.5-1</p> 	<ol style="list-style-type: none"> Operating temperature range -10°C to +85°C. Open voltage : 1800 Vrms MAX. Operational frequency : 40 KHz – 200 KHz. Lamp wattage : 4 Watts. 	 <p>MARKING 38.1± 0.5</p> <p>2.0± 0.15</p> <p>5.0 MAX</p> <p>8.8 MAX</p> <p>0.5mm MAX</p> <p>0.12mm MAX</p> <p>2.0</p> <p>5.0± 0.2</p> <p>1.7± 0.15</p> <p>1.5± 0.15</p> <p>UNIT : mm EPOXY: 471-5LLHV (TOP VIEW)</p>
<p>UI-15</p> 	<ol style="list-style-type: none"> Operating temperature range -10°C to +85°C. Open voltage : 1800 Vrms MAX. Operational frequency : 40 KHz – 200 KHz. Lamp wattage : 8 Watts. 	 <p>EPOXY 24.5 MAX</p> <p>MARKING</p> <p>EPOXY 15.5 MAX</p> <p>8.0 MAX</p> <p>8</p> <p>1</p> <p>0.12mm MAX</p> <p>6</p> <p>2.5± 0.2</p> <p>0.6</p> <p>1</p> <p>7</p> <p>1.0</p> <p>7A</p> <p>8A</p> <p>8</p> <p>12.5± 0.2</p> <p>2</p> <p>7</p> <p>5</p> <p>8</p> <p>(BOTTOM VIEW) UNIT: mm</p>

音律電子股份有限公司

台北縣三峽鎮中正路二段 218 號

電話 : (02) 2671-2071 ext 355

(大陸) 光順電子廠

中國廣東省東莞市大嶺山梅林管理站

e-mail : shirley@elytone.com.tw

Web site : <http://www.elytone.com.tw>

Elytone electronic Co., Ltd.

218, Sec. 2, Chung Cheng Road, San-Hsia 237,


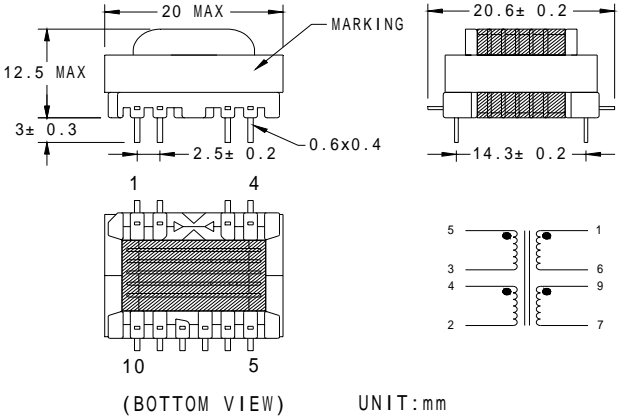

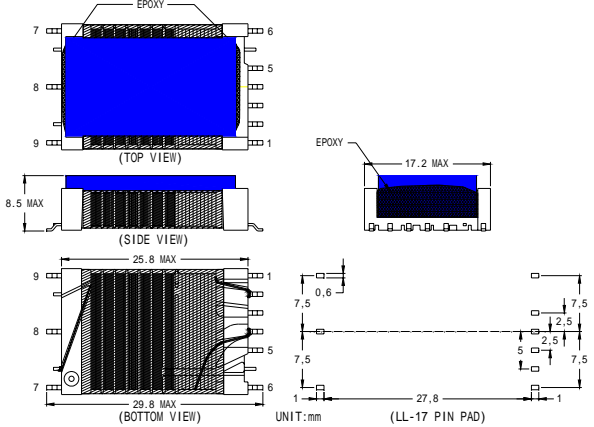
Taipei Hsien, Taiwan

Lightion

Mellin District, Da Ling Shan, Dong Guan,

Guang Dong , China

Inverter transformer for LCD Backlighting

Type :	FEATURES:	MECHANICAL DIMENSIONS:
<p>EE-19</p> 	<ol style="list-style-type: none"> Operating temperature range -10°C to +85°C. Open voltage : 1800 Vrms MAX. Operational frequency : 40 KHz – 200 KHz. Lamp wattage : 10 Watts. 	 <p>(BOTTOM VIEW) UNIT: mm</p>
<p>LL-17</p> 	<ol style="list-style-type: none"> Operating temperature range -10°C to +85°C. Open voltage : 1800 Vrms MAX. Operational frequency : 40 KHz – 200 KHz. Lamp wattage : 18 Watts. 	 <p>UNIT: mm (LL-17 PIN PAD)</p>

音律電子股份有限公司

台北縣三峽鎮中正路二段 218 號

電話 : (02) 2671-2071 ext 355

(大陸) 光順電子廠

中國廣東省東莞市大嶺山梅林管理站

e-mail : shirley@elytone.com.tw

Web site : <http://www.elytone.com.tw>

Elytone electronic Co., Ltd.

218, Sec. 2, Chung Cheng Road, San-Hsia 237,

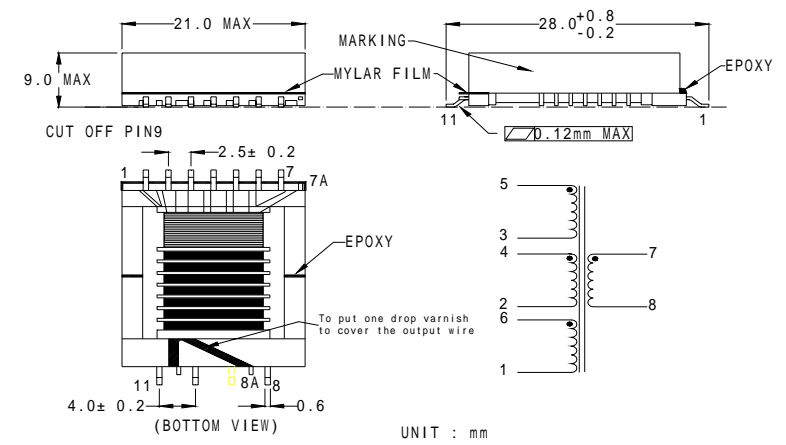
Taipei Hsien, Taiwan

Lightion

Mellin District, Da Ling Shan, Dong Guan,

Guang Dong , China

Inverter transformer for LCD Backlighting

Type :	FEATURES:	MECHANICAL DIMENSIONS:
EFD-20L	<ol style="list-style-type: none"> Operating temperature range -10°C to +85°C. Open voltage : 2000 Vrms MAX. Operational frequency : 40 KHz – 200 KHz. Lamp wattage : 17 Watts. 	 <p style="text-align: right;">UNIT : mm</p>

音律電子股份有限公司

台北縣三峽鎮中正路二段 218 號

電話 : (02) 2671-2071 ext 355

(大陸) 光順電子廠

中國廣東省東莞市大嶺山梅林管理站

e-mail : shirley@elytone.com.tw

Web site : <http://www.elytone.com.tw>

Elytone electronic Co., Ltd.

218, Sec. 2, Chung Cheng Road, San-Hsia 237,


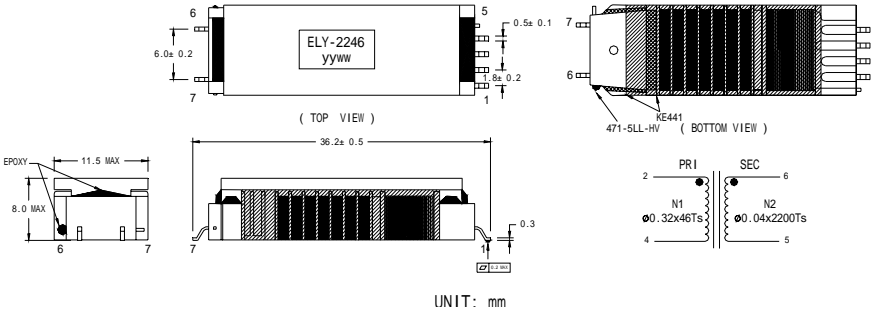
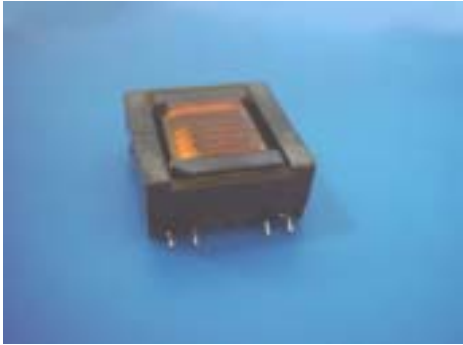
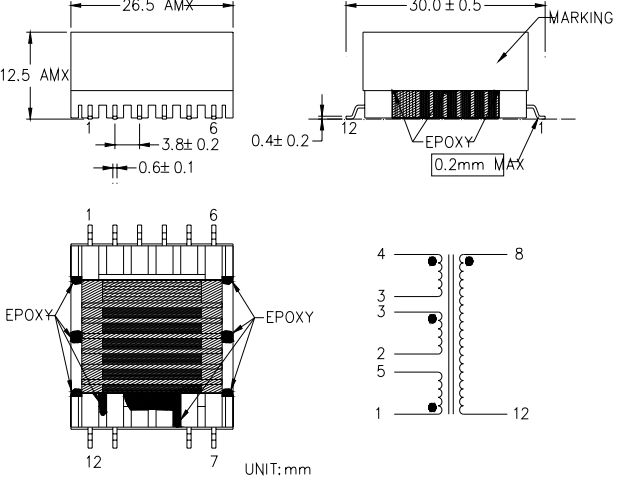
Taipei Hsien, Taiwan

Lightion

Mellin District, Da Ling Shan, Dong Guan,

Guang Dong , China

Inverter transformer for LCD Backlighting

Type :	FEATURES:	MECHANICAL DIMENSIONS:
<p>LH-10 (SMD)</p> 	<ol style="list-style-type: none"> 1. Operating temperature range -10 to +85 . 2. Open voltage : 2500 Vrms MAX. 3. Operational frequency : 40 KHz – 200 KHz. 4. Lamp wattage : 8 ~ 9 Watts. 	 <p>UNIT: mm</p>
<p>EPC-25</p> 	<ol style="list-style-type: none"> 1. Operating temperature range -10°C to +85°C. 2. Open voltage : 2500 Vrms MAX. 3. Operational frequency : 40 KHz – 200 KHz. 4. Lamp wattage : 35 Watts. 	 <p>UNIT:mm</p>

音律電子股份有限公司

台北縣三峽鎮中正路二段 218 號

電話 : (02) 2671-2071 ext 355

(大陸) 光順電子廠

中國廣東省東莞市大嶺山梅林管理站

e-mail : shirley@elytone.com.tw

Web site : <http://www.elytone.com.tw>

Elytone electronic Co., Ltd.

218,Sec. 2, Chung Cheng Road, San-Hsia 237,


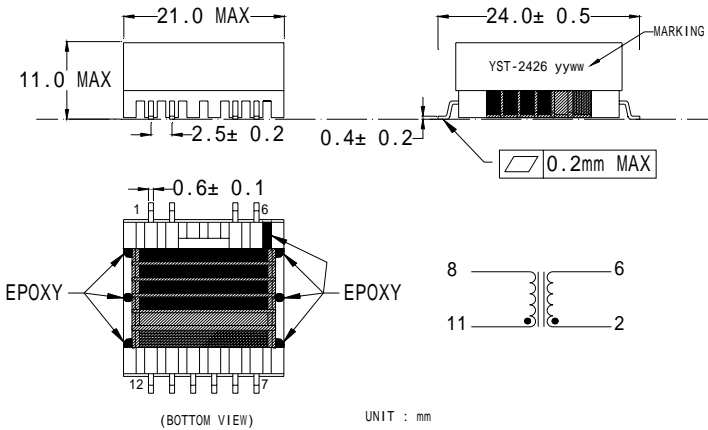
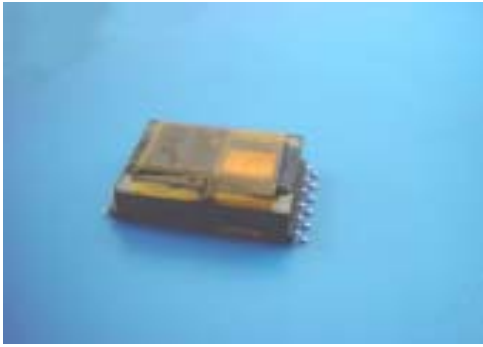
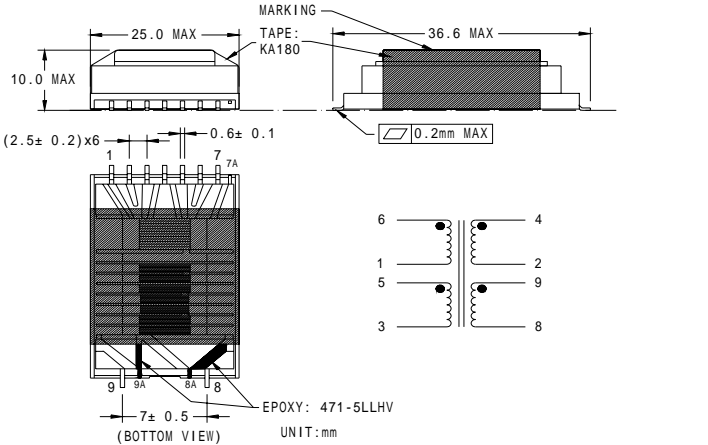
Taipei Hsien, Taiwan

Lightion

Mellin District, Da Ling Shan, Dong Guan,

Guang Dong , China

Inverter transformer for LCD Backlighting

Type :	FEATURES:	MECHANICAL DIMENSIONS:
<p>EPC-19</p> 	<ol style="list-style-type: none"> Operating temperature range -10°C to +85°C. Open voltage : 1800 Vrms MAX. Operational frequency : 40 KHz – 200 KHz. Lamp wattage : 15 Watts. 	 <p>UNIT : mm</p>
<p>EEL-19</p> 	<ol style="list-style-type: none"> Operating temperature range -10 to +85 . Open voltage : 1800 Vrms MAX. Operational frequency : 40 KHz – 200 KHz. Lamp wattage : 15 Watts. 	 <p>UNIT: mm</p>

音律電子股份有限公司

台北縣三峽鎮中正路二段 218 號

電話 : (02) 2671-2071 ext 355

(大陸) 光順電子廠

中國廣東省東莞市大嶺山梅林管理站

e-mail : shirley@elytone.com.tw

Web site : <http://www.elytone.com.tw>

Elytone electronic Co., Ltd.

218, Sec. 2, Chung Cheng Road, San-Hsia 237,

Taipei Hsien, Taiwan

Lightion

Mellin District, Da Ling Shan, Dong Guan,

Guang Dong , China