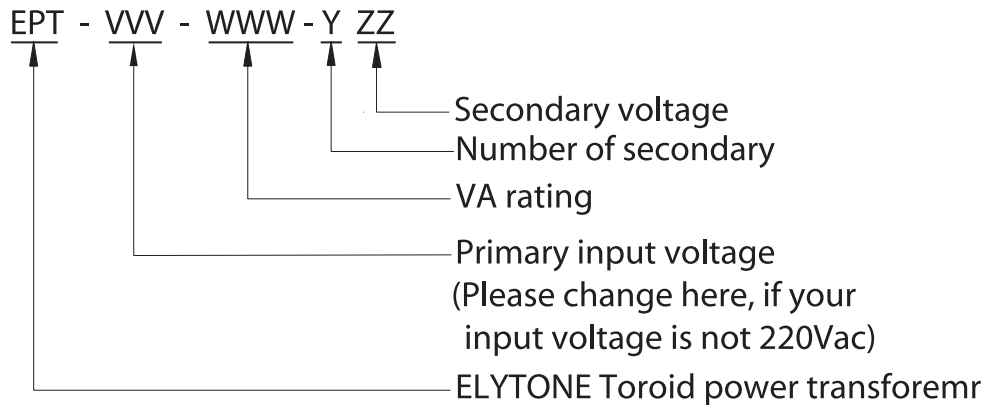


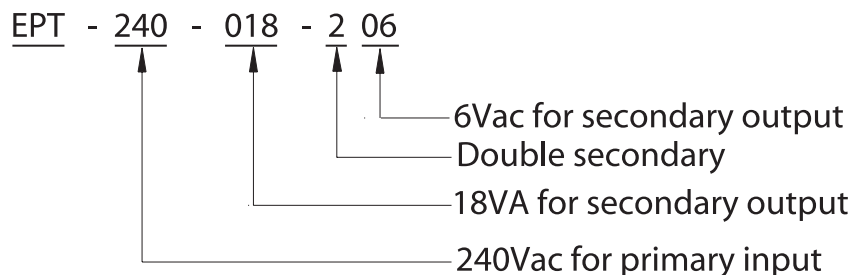
Toroidal Power Transformers

- Low magnetic noise
- High efficiency
- Excellent load regulation
- Easy assembly
- Very low no-load losses and magnetizing current
- Half the size and weight
- Various input options: 100V /110V /117V /120V /220V /230V /240V. 50/60Hz
- Dielectric strength greater than 3KV, 1 minute between primary and secondary
- Electric parameters tested 100% of production
- Application power range 10VA to 750VA available according to customer's requirement
- Class B insulation system (optional)
- Single primary winding standard, dual primaries optional

Description of our standard part number



For example:

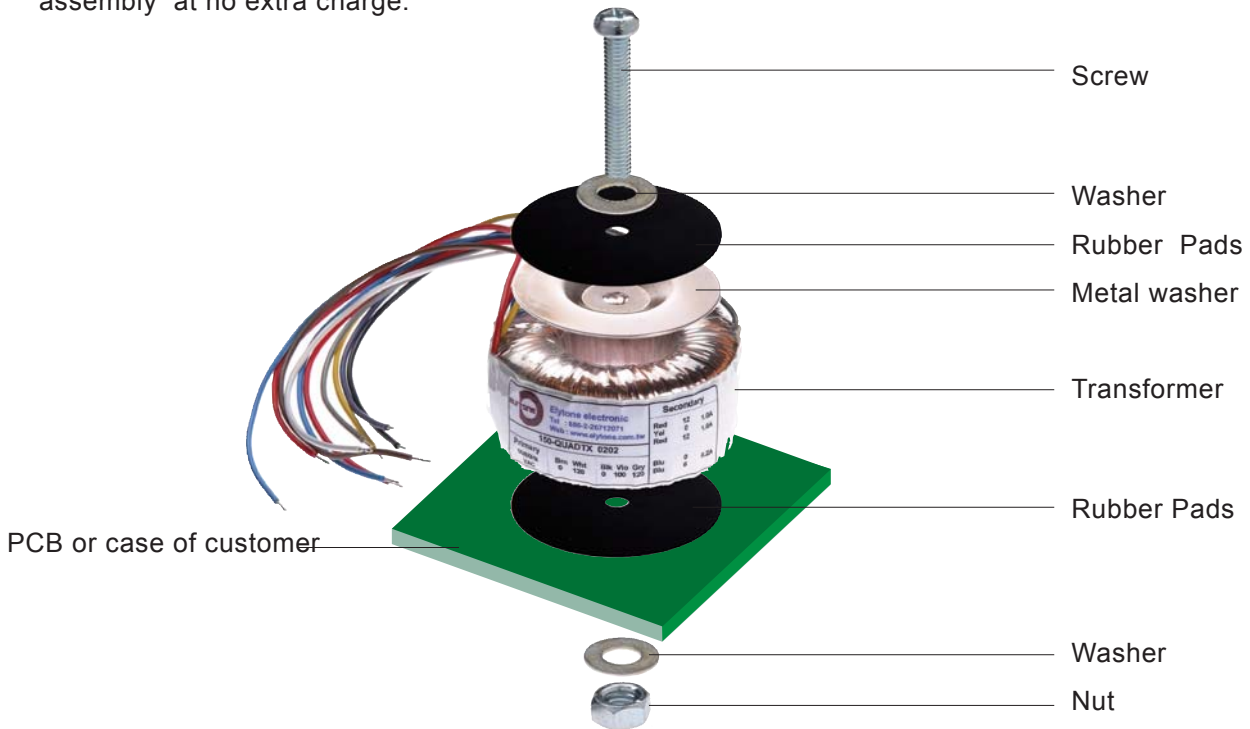


Toroidal Power Transformers

Assembly method

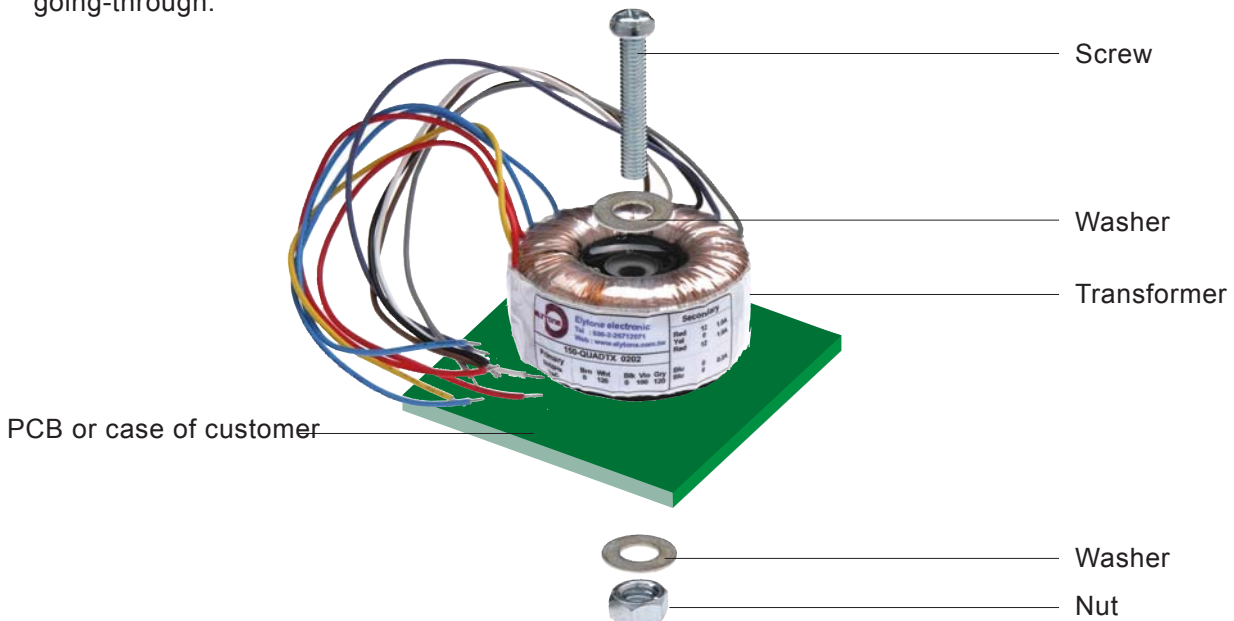
* Type 1: Mounting washer and rubber pads

All of our standard parts are supplied with metal washers, rubber pads, screw, and nut for assembly at no extra charge.



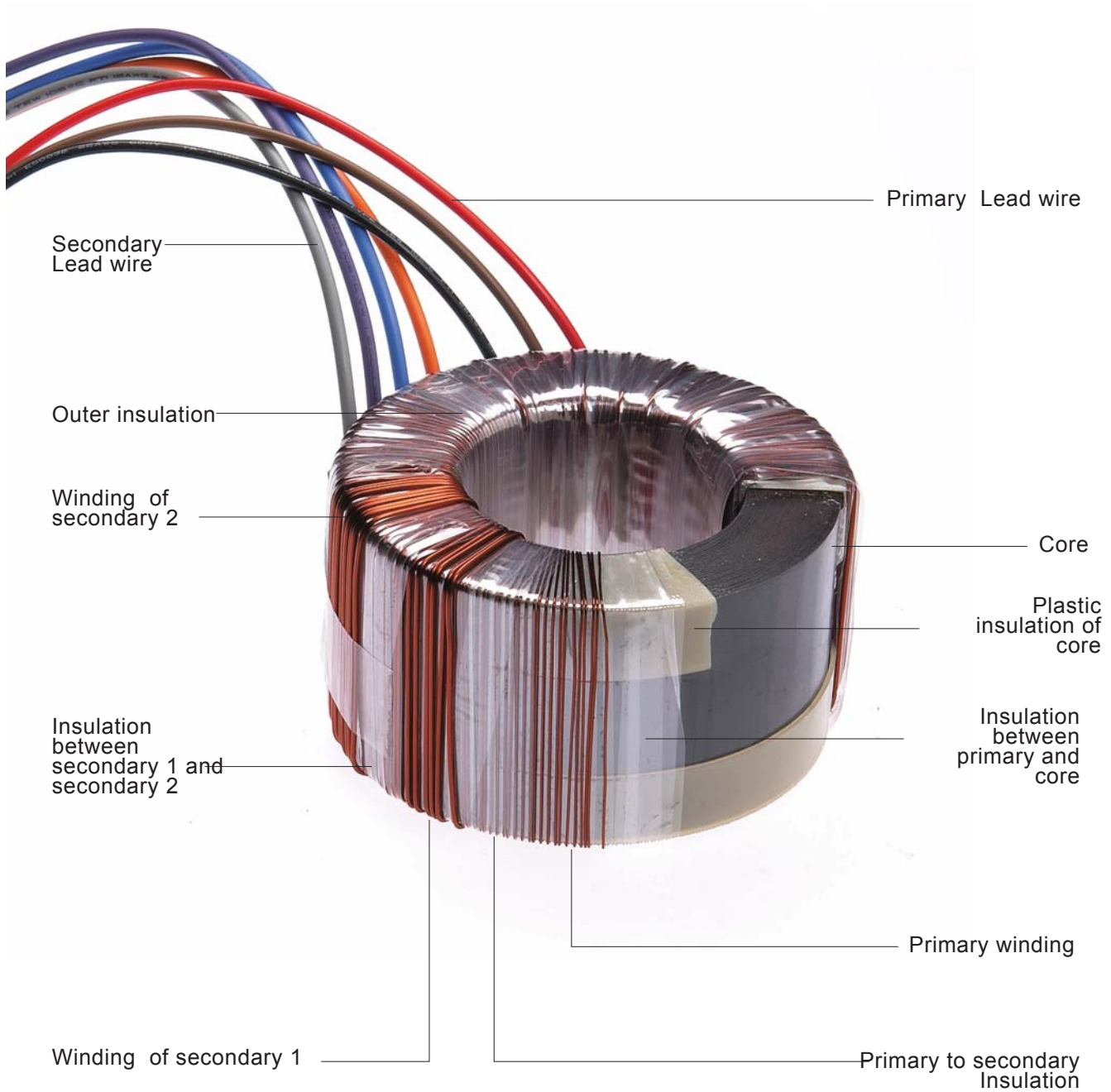
* Type 2: Potted center(optional)

Center of transformer filled with epoxy resin, then a central hole drilled for mounting screw going-through.



Toroidal Power Transformers

Construction



Toroidal Power Transformers

Standard parts

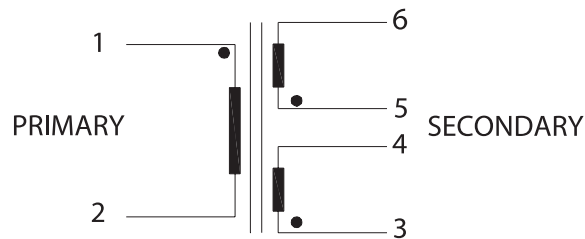
The following part numbers are our standard parts for input voltage 220 VAC series. If you require different input voltage, please change part number from 220 to your requirement (see part number description).

Part Number	Power (VA)	AC Output		Dimension (inches)		Weight (lbs)	Screw
		Series	Parallel	OD	H		
EPT-220-018-206	18	12V@1.5A	6V@3.0A	2.5	1.3	0.7	M4
EPT-220-018-209		18V@1.0A	9V@2.0A				
EPT-220-018-212		24V@0.8A	12V@1.6A				
EPT-220-018-215		30V@0.6A	15V@1.2A				
EPT-220-018-218		36V@0.5A	18V@1.0A				
EPT-220-018-222		44V@0.4A	22V@0.8A				
EPT-220-036-206	36	12V@2.9A	6V@5.8A	2.9	1.6	1.1	M4
EPT-220-036-209		18V@1.9A	9V@3.8A				
EPT-220-036-212		24V@1.5A	12V@3.0A				
EPT-220-036-215		30V@1.2A	15V@2.4A				
EPT-220-036-218		36V@1.0A	18V@2.0A				
EPT-220-036-222		44V@0.8A	22V@1.6A				
EPT-220-060-206	60	12V@5.0A	6V@10A	3.3	1.7	1.5	M6
EPT-220-060-209		18V@3.3A	9V@6.6A				
EPT-220-060-212		24V@2.5A	12V@5.0A				
EPT-220-060-215		30V@2.0A	15V@4.0A				
EPT-220-060-218		36V@1.7A	18V@3.4A				
EPT-220-060-222		44V@1.4A	22V@2.8A				
EPT-220-100-209	100	18V@5.6A	9V@11.2A	3.9	1.9	2.8	M6
EPT-220-100-212		24V@4.2A	12V@8.4A				
EPT-220-100-215		30V@3.3A	15V@6.6A				
EPT-220-100-218		36V@2.8A	18V@5.6A				
EPT-220-100-222		44V@2.3A	22V@4.6A				
EPT-220-100-224		48V@2.1A	24V@4.2A				
EPT-220-100-228	56V@1.8A	28V@3.6A	4.4	2.1	3.7	M6	
EPT-220-100-230	60V@1.7A	30V@3.4A					
EPT-220-155-212	155	24V@6.5A					12V@13.0A
EPT-220-155-215		30V@5.2A					15V@10.4A
EPT-220-155-218		36V@4.3A					18V@8.6A
EPT-220-155-222		44V@3.5A					22V@7.0A
EPT-220-155-224		48V@3.2A	24V@6.4A				
EPT-220-155-228		56V@2.8A	28V@5.6A				
EPT-220-155-230	60V@2.6A	30V@5.2A	4.5	2.4	4.2	M6	
EPT-220-200-212	24V@8.3A	12V@16.6A					
EPT-220-200-215	30V@6.7A	15V@13.4A					
EPT-220-200-218	36V@5.5A	18V@11.0A					
EPT-220-200-222	44V@4.5A	22V@9.0A					
EPT-220-200-224	48V@4.2A	24V@8.4A					
EPT-220-200-228	56V@3.6A	28V@7.2A	4.7	3.3	6.2	M8	
EPT-220-200-230	60V@3.3A	30V@6.6A					
EPT-220-325-212	325	24V@13.5A					12V@27.0A
EPT-220-325-215		30V@10.8A					15V@21.6A
EPT-220-325-218		36V@9.0A					18V@18.0A
EPT-220-325-224		48V@6.8A					24V@13.6A
EPT-220-325-230		60V@5.4A	30V@10.8A				
EPT-220-325-238		76V@4.3A	38V@8.6A				

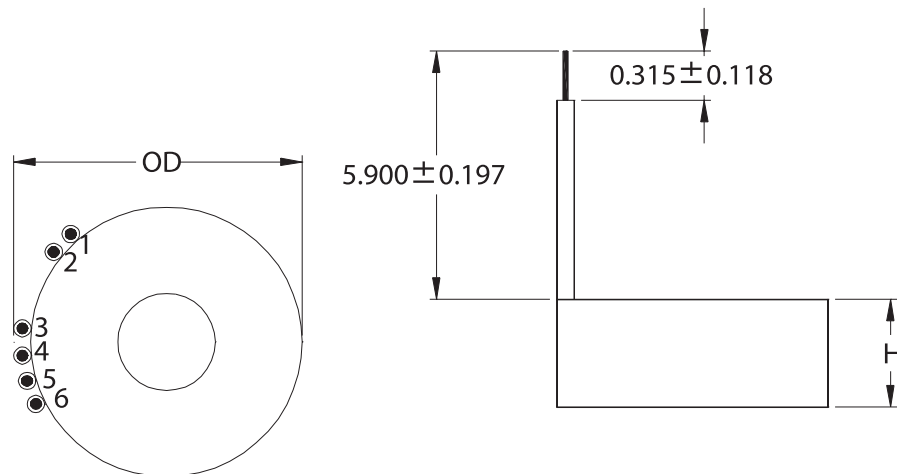
Toroidal Power Transformers

Part Number	Power (VA)	AC Output		Dimension (inches)		Weight (lbs)	Screw
		Series	Parallel	OD	H		
EPT-220-440-218	440	36V@12.2A	18V@24.4A	5.6	2.5	7.5	M8
EPT-220-440-224		48V@9.2A	24V@18.4A				
EPT-220-440-230		60V@7.3A	30V@14.6A				
EPT-220-440-238		76V@5.8A	38V@11.6A				
EPT-220-585-224	585	48V@12.2A	24V@24.4A	5.6	2.9	9.0	M8
EPT-220-585-230		60V@9.7A	30V@19.4A				
EPT-220-585-238		76V@7.7A	38V@15.4A				
EPT-220-690-224	690	48V@14.4A	24V@28.8A	5.7	3.5	10.3	M8
EPT-220-690-230		60V@11.5A	30V@23.0A				
EPT-220-690-233		66V@10.5A	33V@21.0A				
EPT-220-690-238		76V@9.1A	38V@18.2A				
EPT-220-750-224	750	48V@15.6A	24V@31.2A	5.9	3.5	12.8	M8
EPT-220-750-230		60V@12.5A	30V@25.0A				
EPT-220-750-240		80V@9.37A	40V@18.8A				

Schematic of our standard parts



Dimensions:



UNIT : INCHES

UNIT : INCHES

Toroidal Power Transformers

Customer specification sheet for toroidal power transformer

(Please copy the form and fill with data of your transformer)

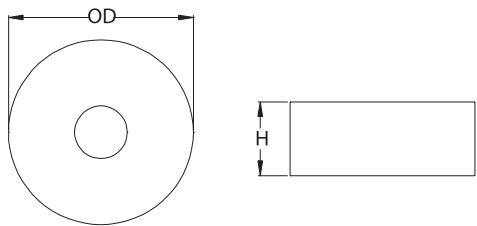
Date: _____
 Company : _____
 Contact person: _____
 Address : _____
 Telephone: _____
 Fax : _____

INPUT				OUTPUT			
Frequency :	Lead	Wire		Voltage	Amp	Lead	Wire
_____ Hz	Color	Length				Color	Length
TYPE I	_____	_____	115V 0	_____	_____	_____	_____
	_____	_____		115V 0	_____	_____	_____
OR	_____	_____	120V 100V 0	_____	_____	_____	_____
	_____	_____		120V 100V 0	_____	_____	_____
TYPE II	_____	_____	Various input options	_____	_____	_____	_____
TYPE III	_____	_____		_____	_____	_____	_____

Max dimensions : O.D. : _____ mm
 Height : _____ mm

Lead wire safty requirement : _____
 (example UL1007)

Transformer safty requirement : _____
 (example UL1950)



Insulation class : _____

Temperature rise : _____ MAX

Assembly method :

- Metal washer.
- Potted center.