

Power Transformers

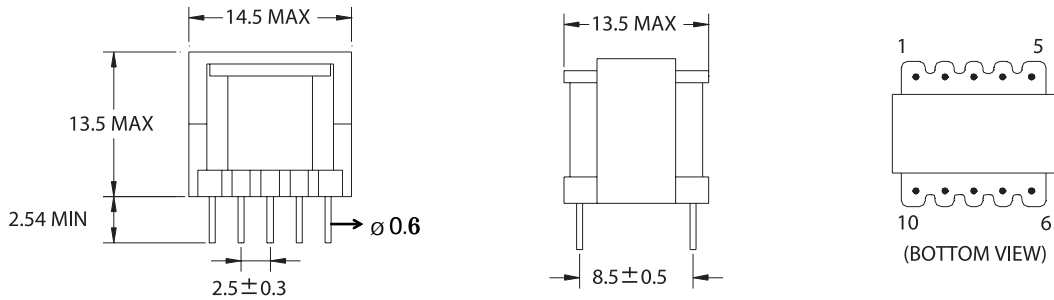
OFF-LINE Switch Mode



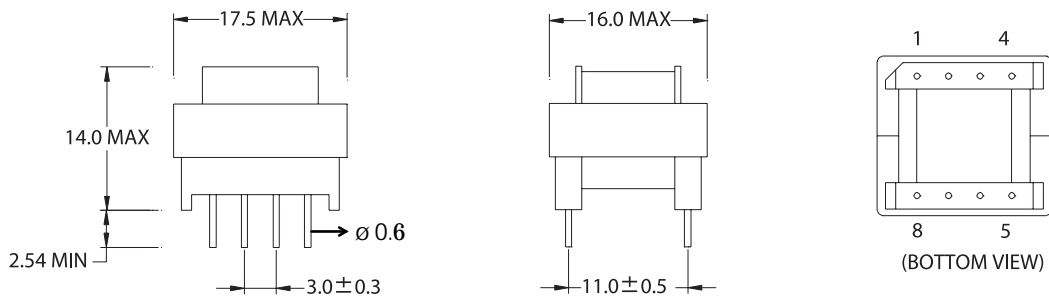
Mechanical Dimension (Only reference use)

● Outlines and data shown here of Elytone existing standard part only, refining or special design to customer requirement is also available.

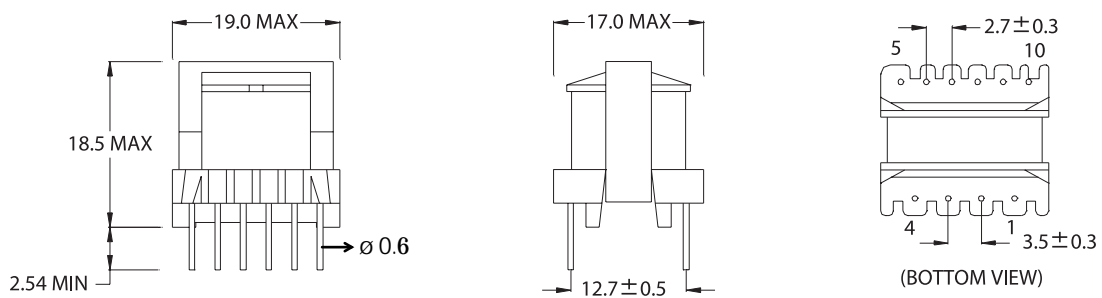
EE13V



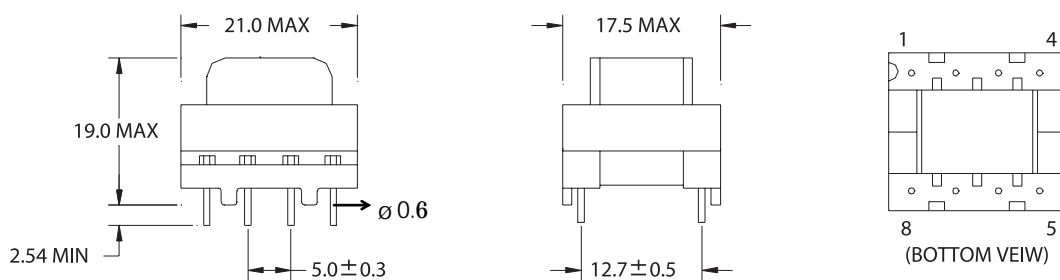
EE16H



EE16V



EE19H TYPE A



UNIT:mm

Power Transformers

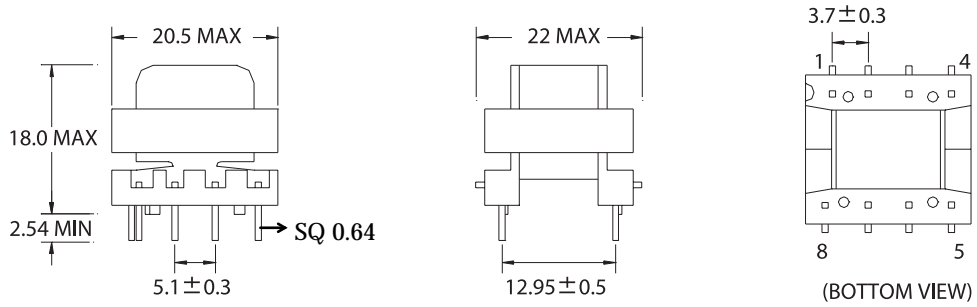
OFF-LINE Switch Mode



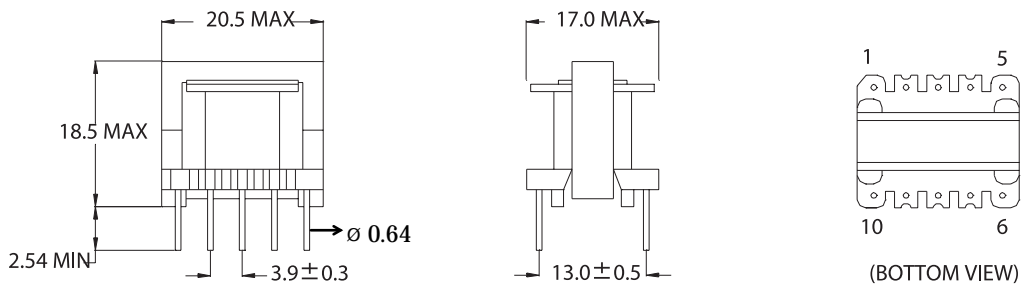
Mechanicals (Only reference use)

● Outlines and data shown here of Elytone existing standard part only, refining or special design to customer requirement is also available.

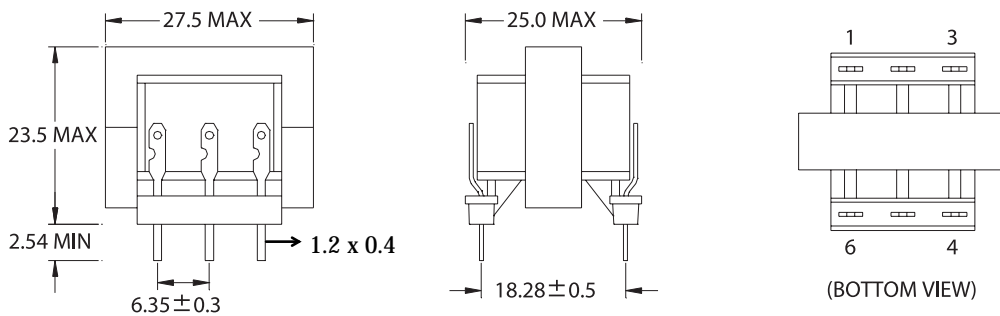
EE19H TYPE B



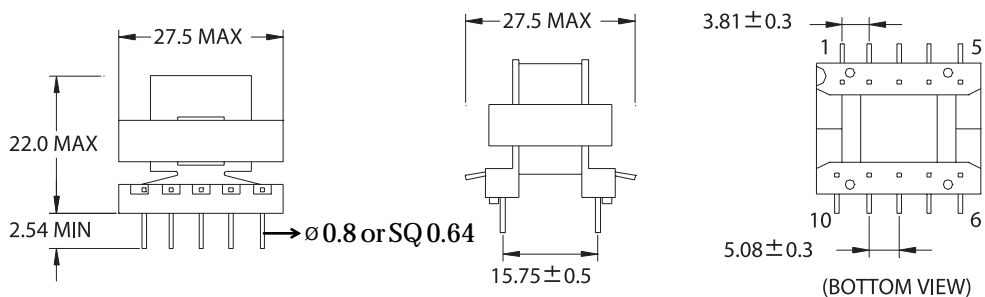
EE19V



EE24/25V



EE25H



UNIT:mm

Power Transformers

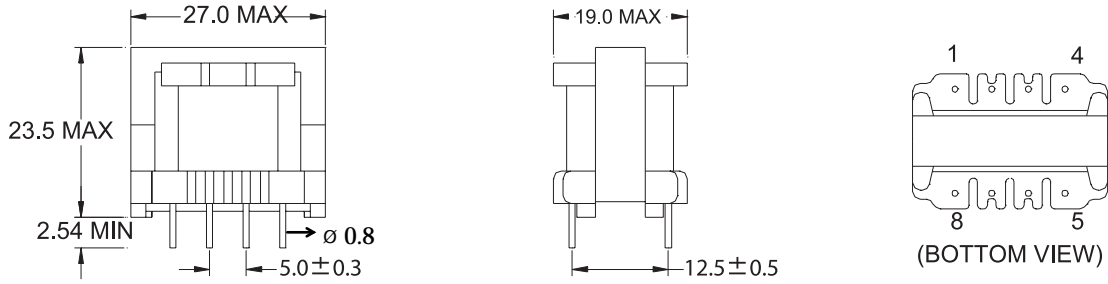
OFF-LINE Switch Mode



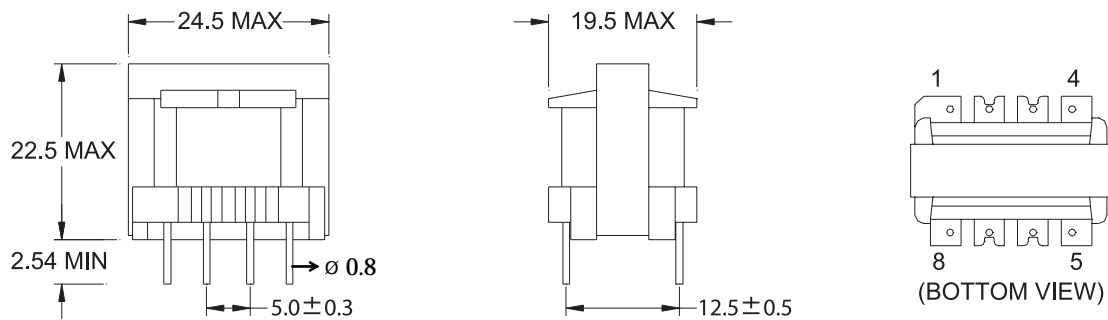
Mechanical Dimension (Only reference use)

● Outlines and data shown here of Elytone existing standard part only, refining or special design to customer requirement is also available.

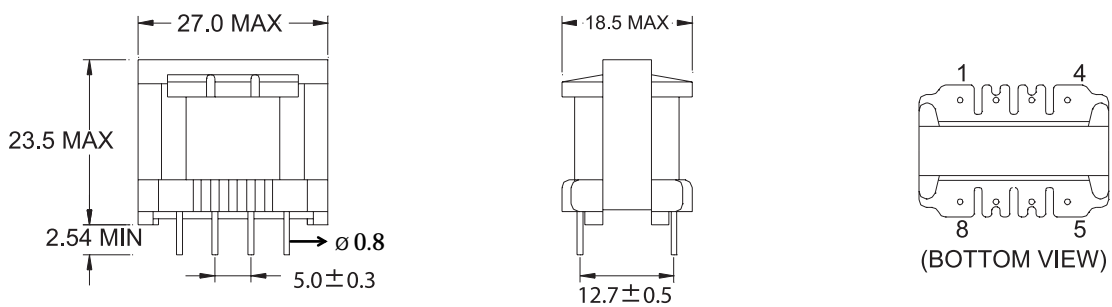
EE25V



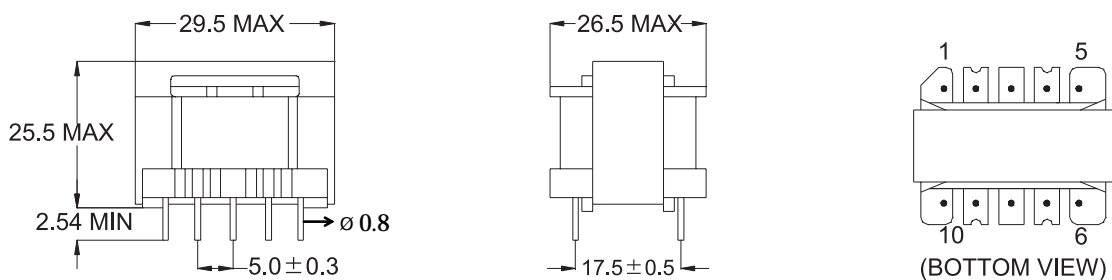
EI22V



EI25V



EI28V



UNIT:mm

Power Transformers

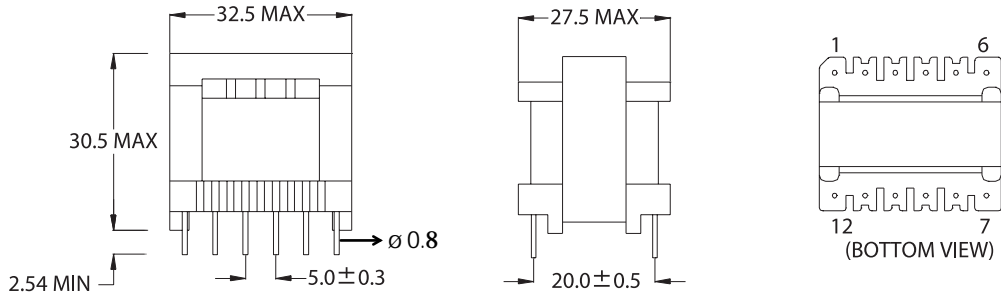
OFF-LINE Switch Mode



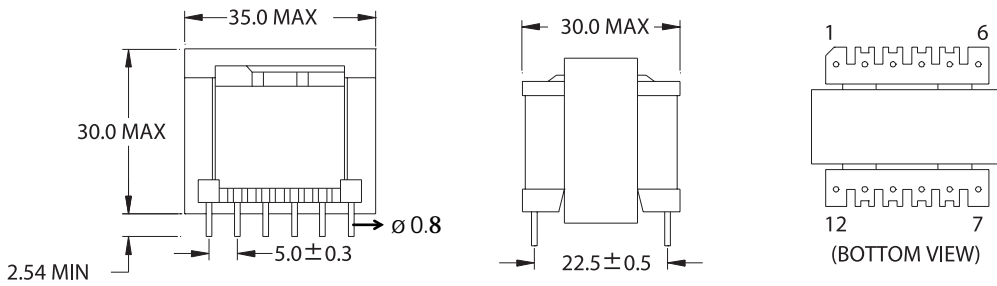
Mechanical Dimension (Only reference use)

● Outlines and data shown here of Elytone existing standard part only, refining or special design to customer requirement is also available.

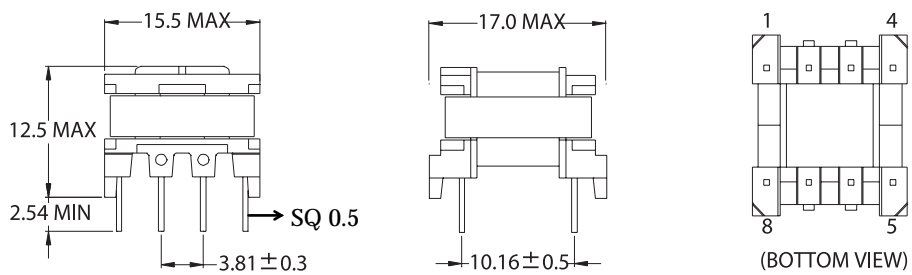
EI30V



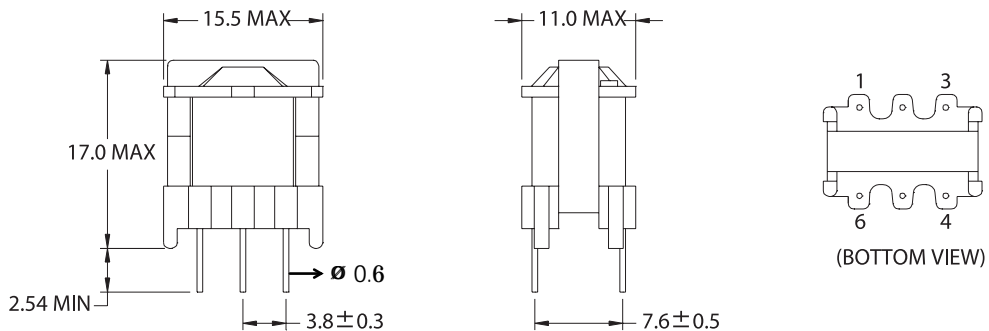
EI33V



EF12.6H



EF12.6V



UNIT:mm

Power Transformers

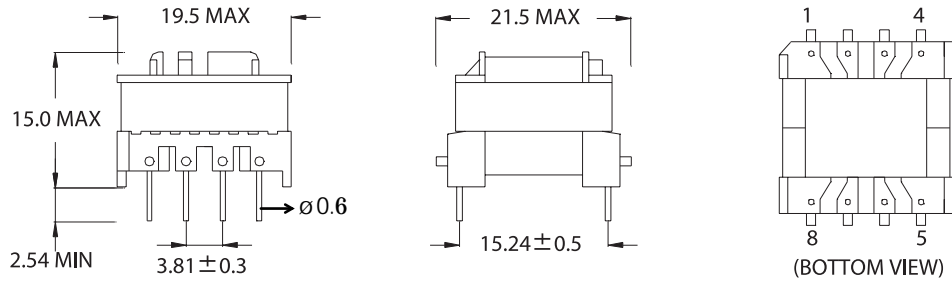
OFF-LINE Switch Mode



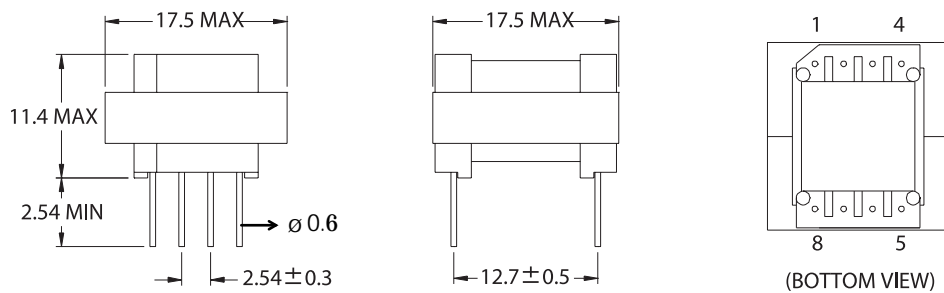
Mechanical Dimension (Only reference use)

● Outlines and data shown here of Elytone existing standard part only, refining or special design to customer requirement is also available.

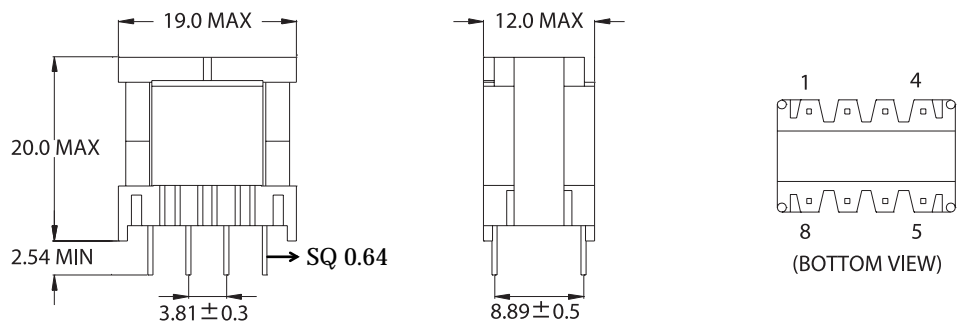
EF16H TYPE A



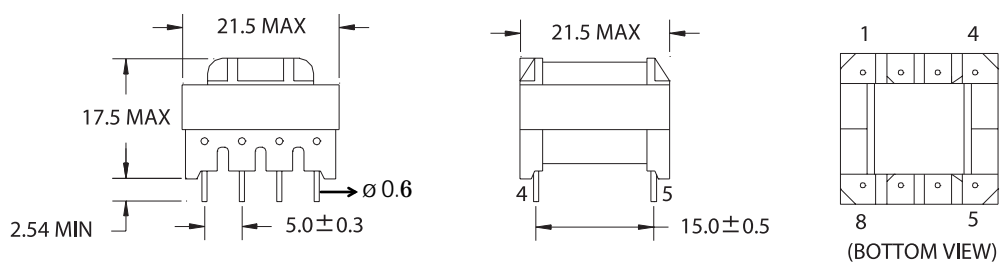
EF16H TYPE B



EF16V



EF20H



UNIT:mm

Power Transformers

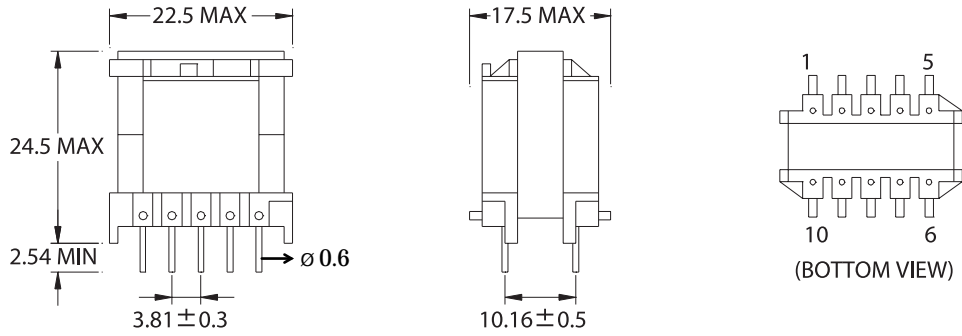
OFF-LINE Switch Mode



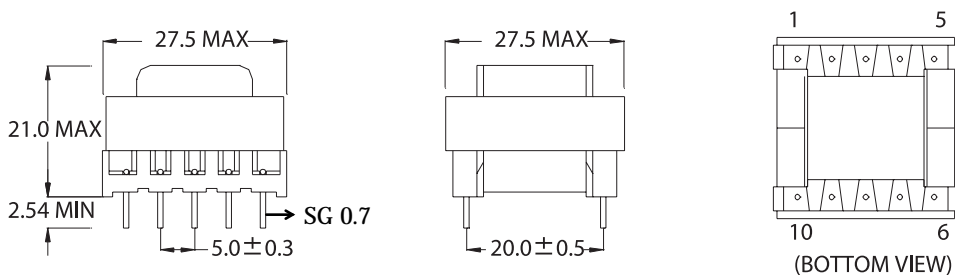
Mechanical Dimension (Only reference use)

● Outlines and data shown here of Elytone existing standard part only, refining or special design to customer requirement is also available.

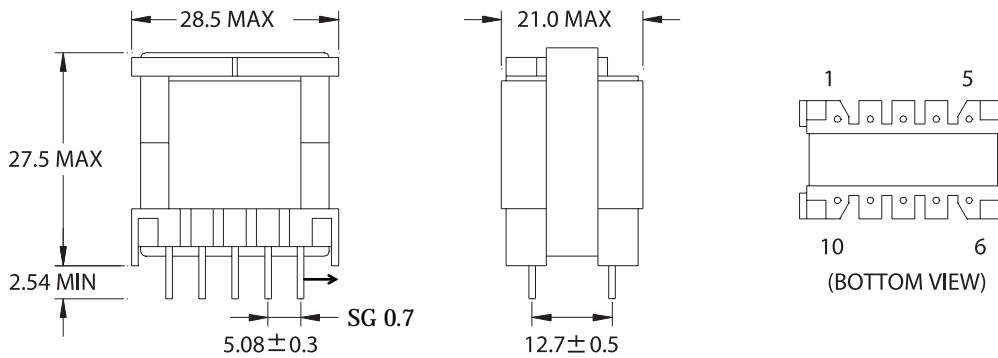
EF20V



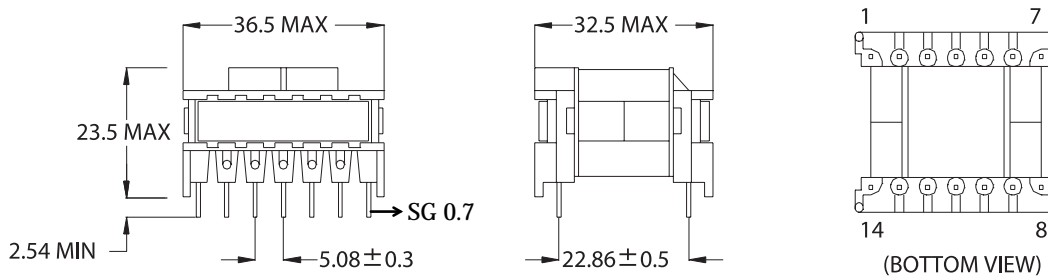
EF25H



EF25V



EF30H



UNIT:mm

Power Transformers

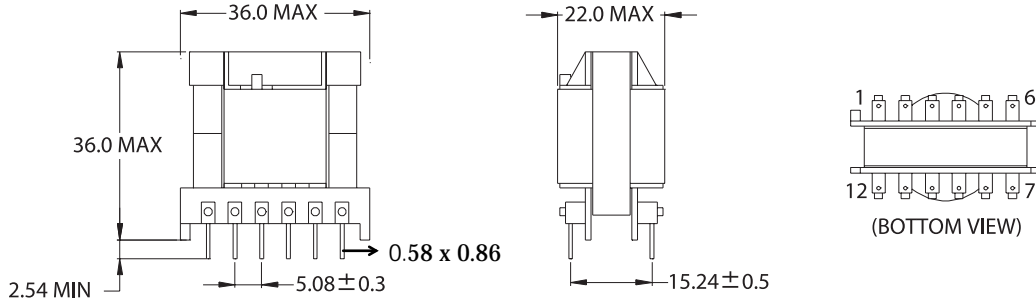
OFF-LINE Switch Mode



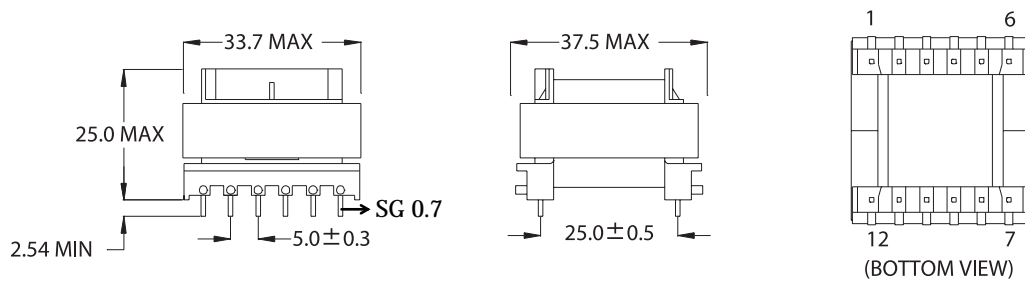
Mechanical Dimension (Only reference use)

● Outlines and data shown here of Elytone existing standard part only, refining or special design to customer requirement is also available.

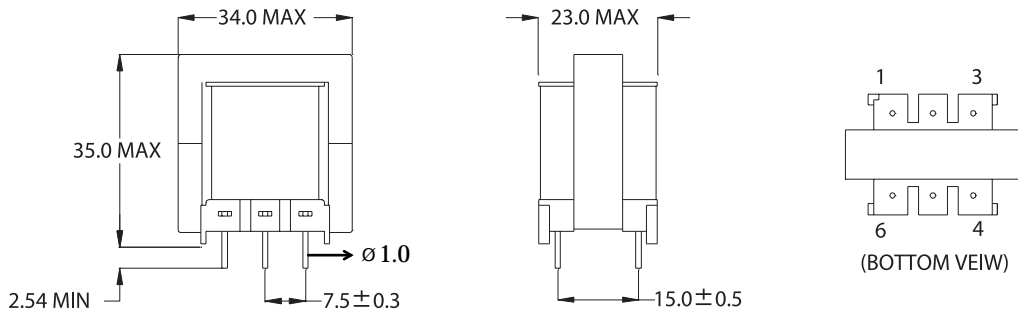
EF30V



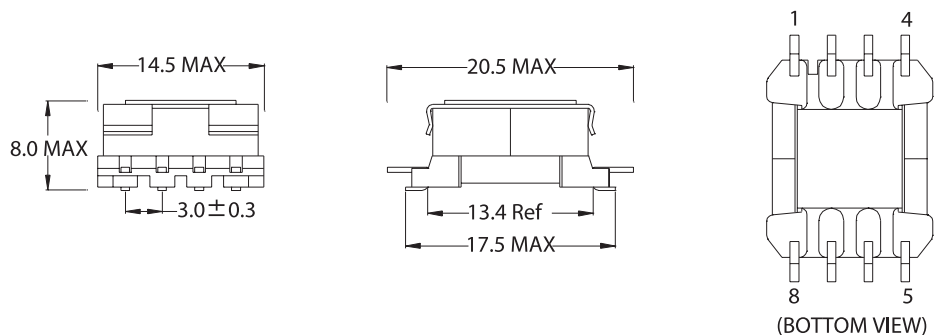
EF32H



EF32V



EFD12 SMD



UNIT:mm

Power Transformers

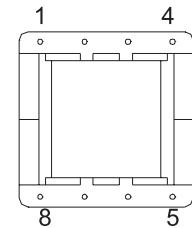
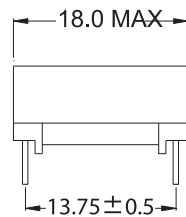
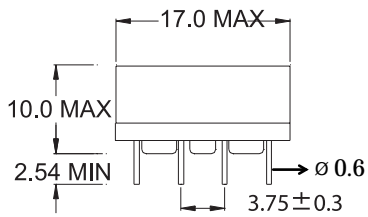
OFF-LINE Switch Mode



Mechanical Dimension (Only reference use)

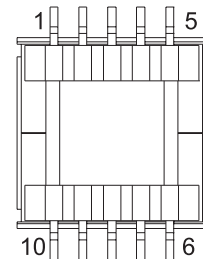
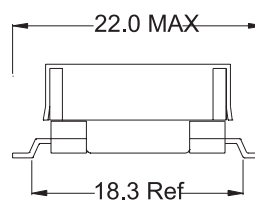
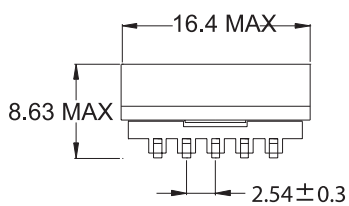
● Outlines and data shown here of Elytone existing standard part only, refining or special design to customer requirement is also available.

EFD15 THRU-HOLE



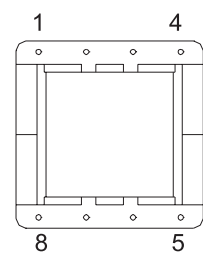
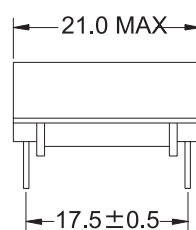
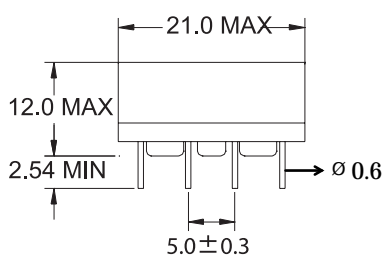
(BOTTOM VIEW)

EFD15 SMD



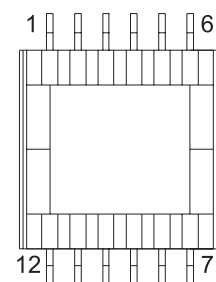
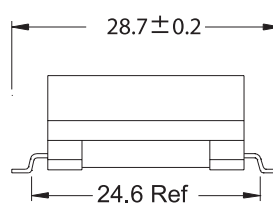
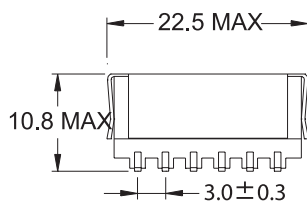
(BOTTOM VIEW)

EFD20 THRU-HOLE



(BOTTOM VIEW)

EFD20 SMD



(BOTTOM VIEW)

UNIT:mm

Power Transformers

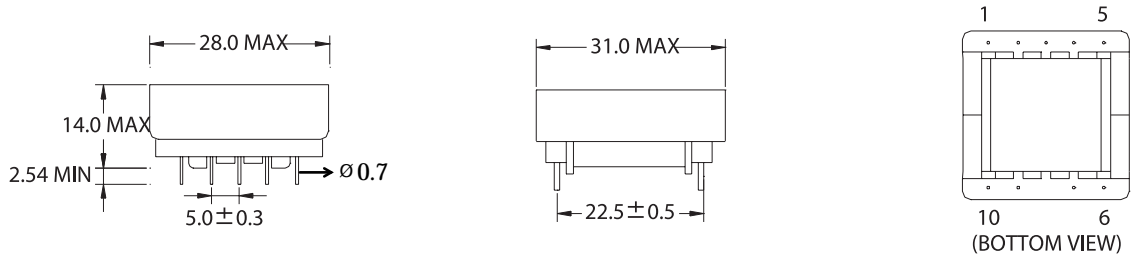
OFF-LINE Switch Mode



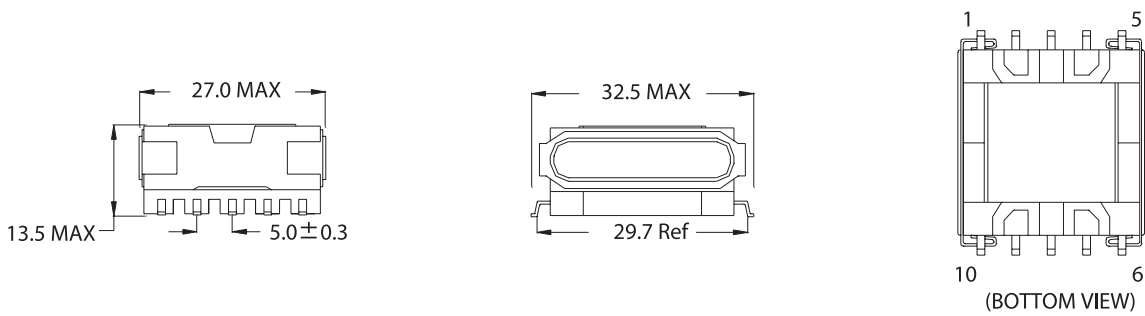
Mechanical Dimension (Only reference use)

● Outlines and data shown here of Elytone existing standard part only, refining or special design to customer requirement is also available.

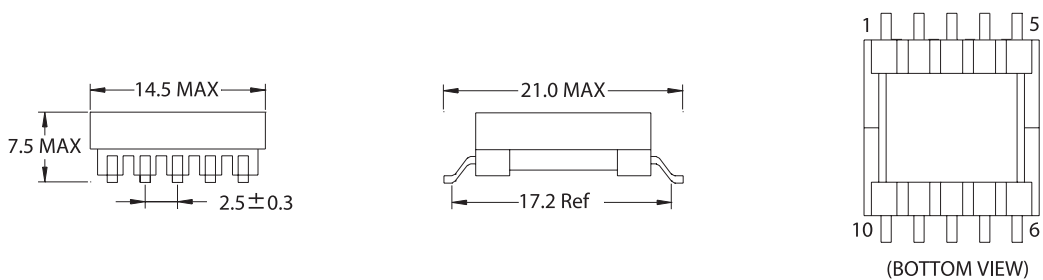
EFD25 THRU-HOLE



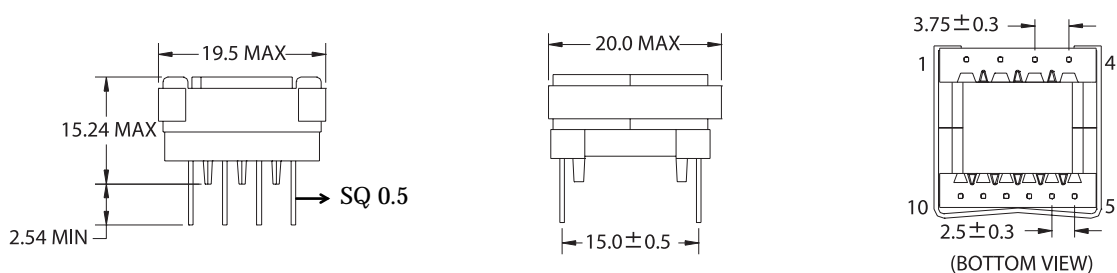
EFD25 SMD



EPC13 SMD



EPC17 THRU-HOLE



UNIT:mm

Power Transformers

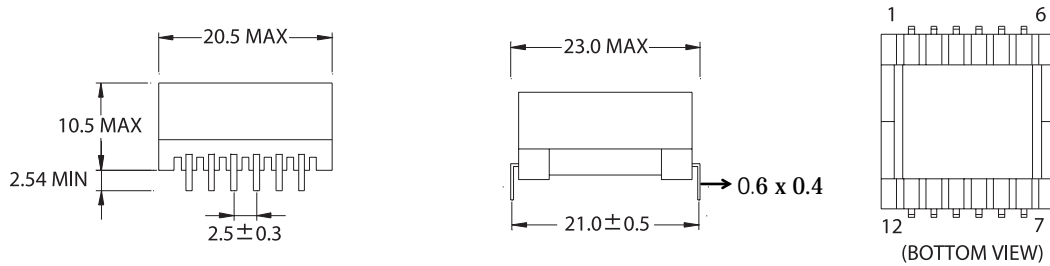
OFF-LINE Switch Mode



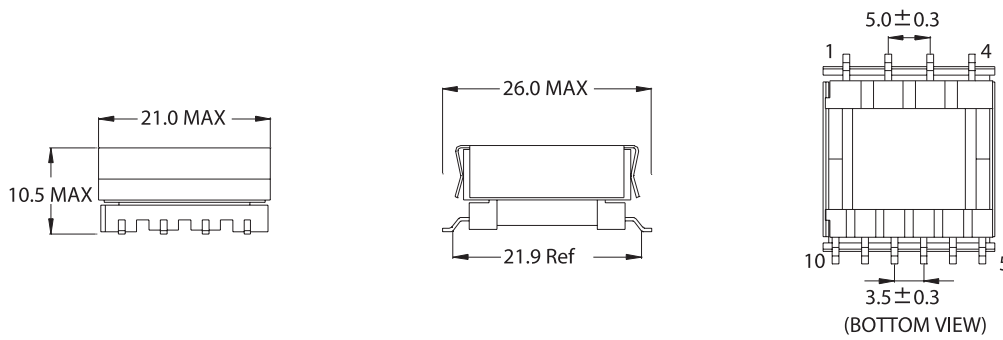
Mechanical Dimension (Only reference use)

● Outlines and data shown here of Elytone existing standard part only, refining or special design to customer requirement is also available.

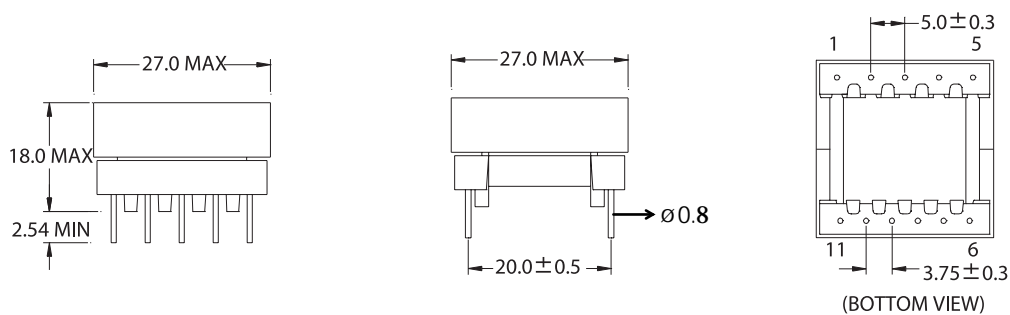
EPC19 THRU-HOLE



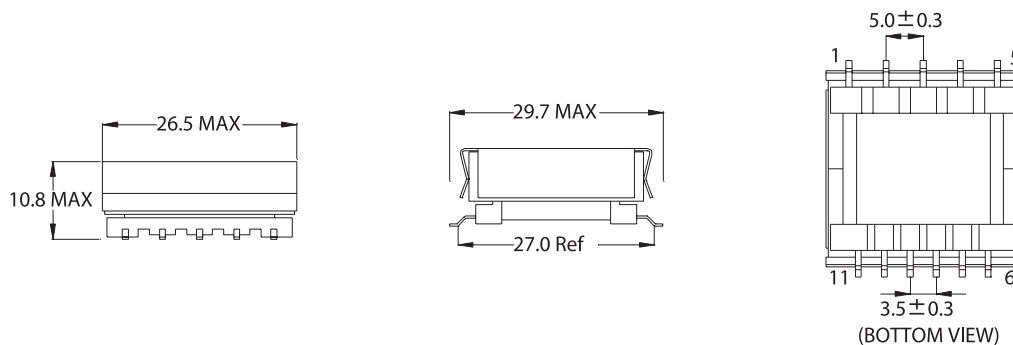
EPC19 SMD



EPC25 THRU-HOLE



EPC25 SMD



Mechanical Dimension

Power Transformers

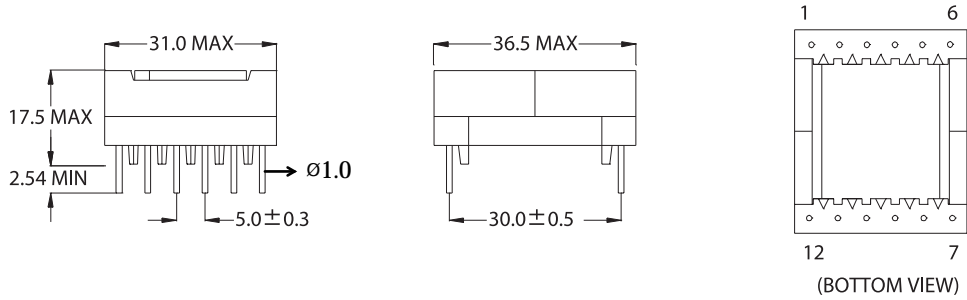
OFF-LINE Switch Mode



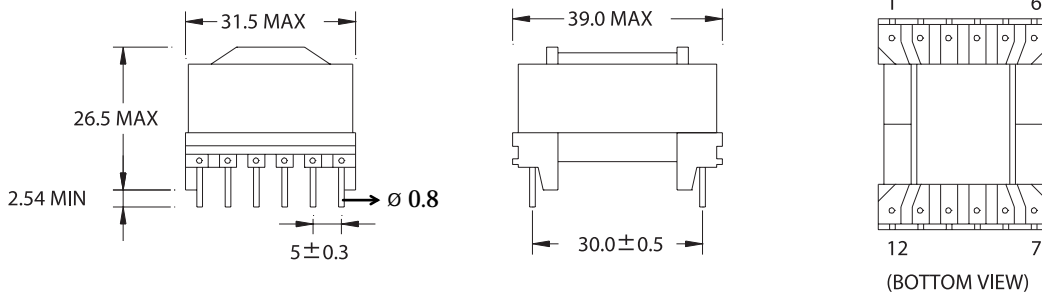
Mechanical Dimension (Only reference use)

● Outlines and data shown here of Elytone existing standard part only, refining or special design to customer requirement is also available.

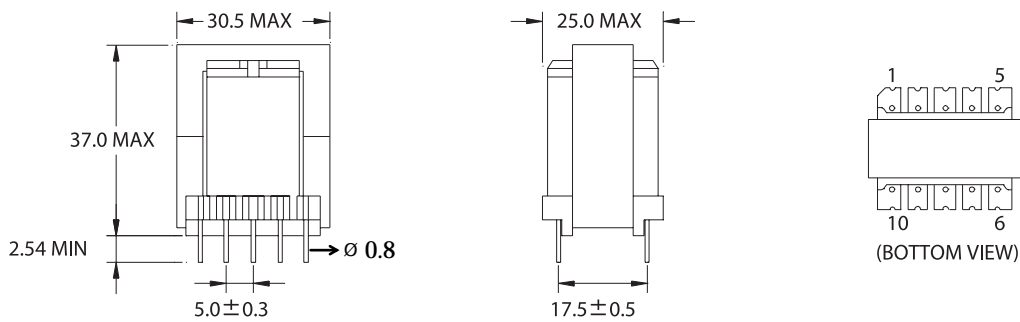
EPC30 THRU-HOLE



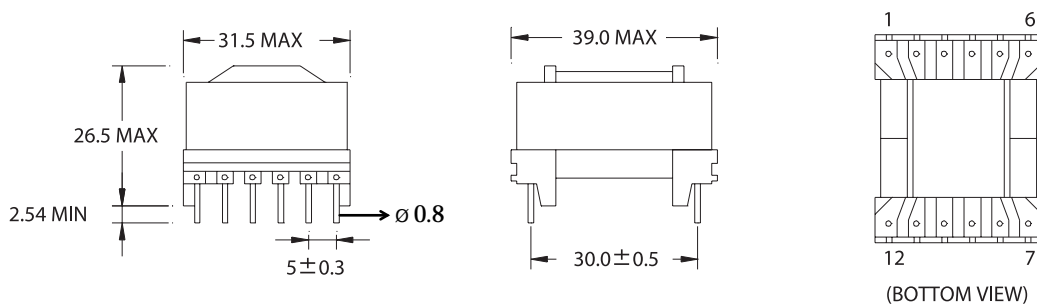
EER28H



EER28V



EER28LH



UNIT:mm

Power Transformers

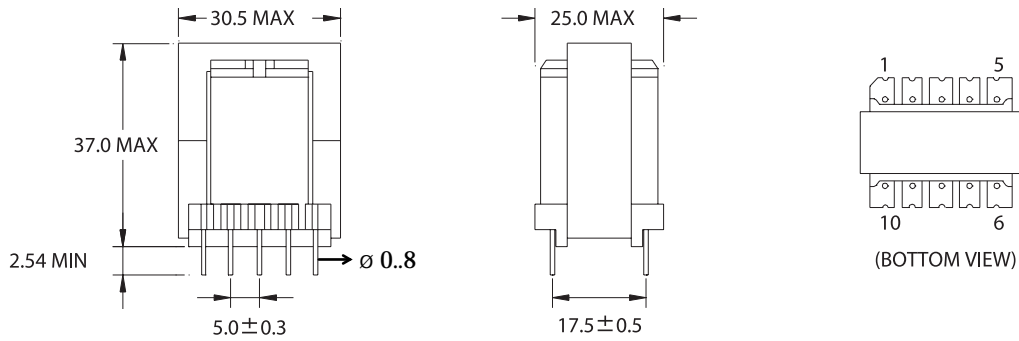
OFF-LINE Switch Mode



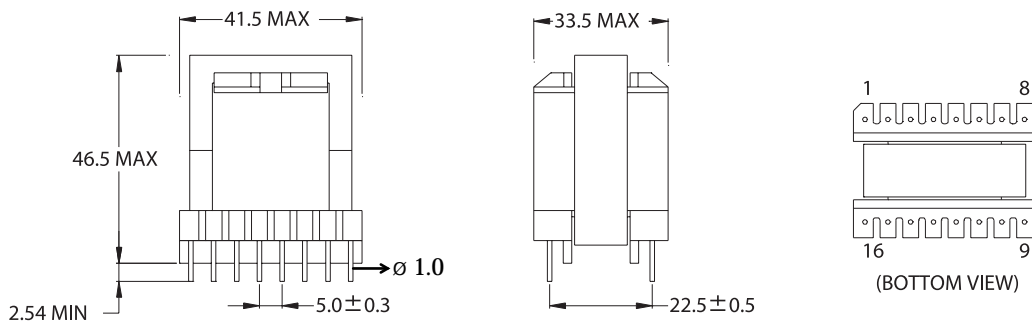
Mechanical Dimension (Only reference use)

● Outlines and data shown here of Elytone existing standard part only, refining or special design to customer requirement is also available.

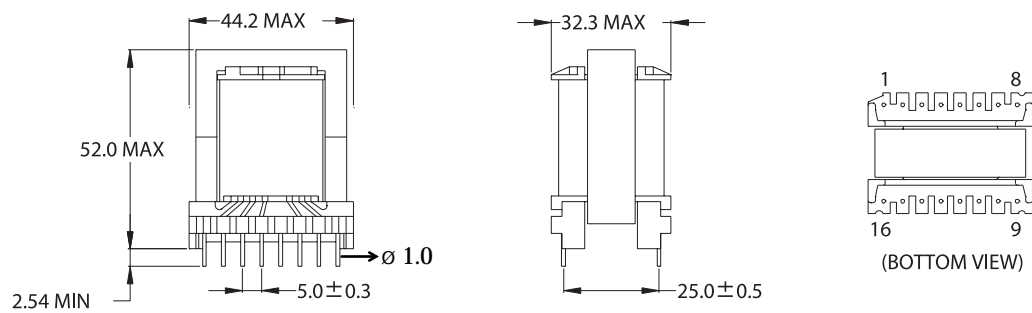
EER28LV



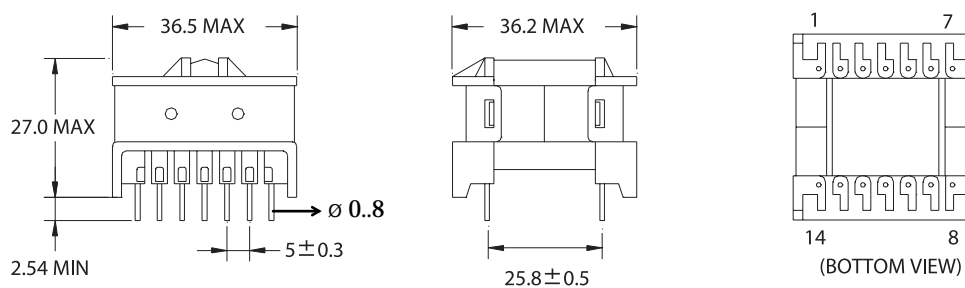
EER35LV



EER39LV



ETD29H



UNIT:mm

Power Transformers

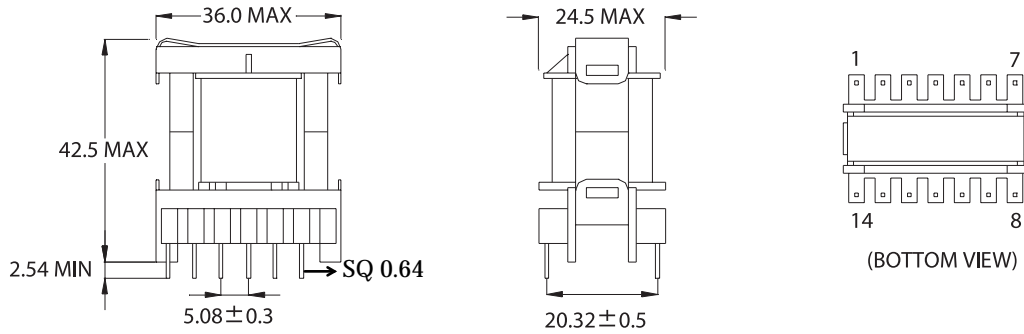
OFF-LINE Switch Mode



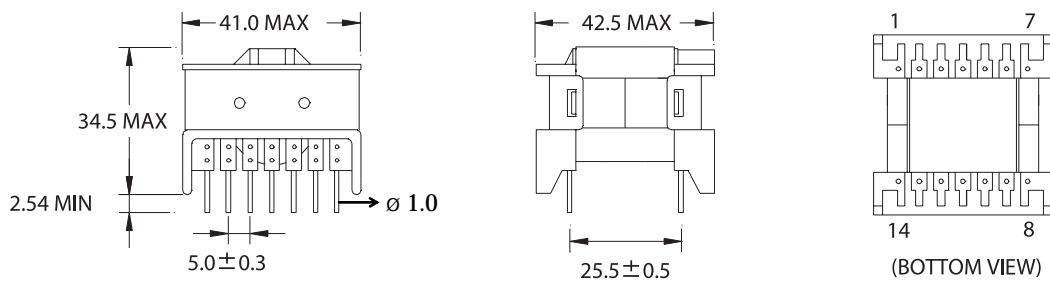
Mechanical Dimension (Only reference use)

● Outlines and data shown here of Elytone existing standard part only, refining or special design to customer requirement is also available.

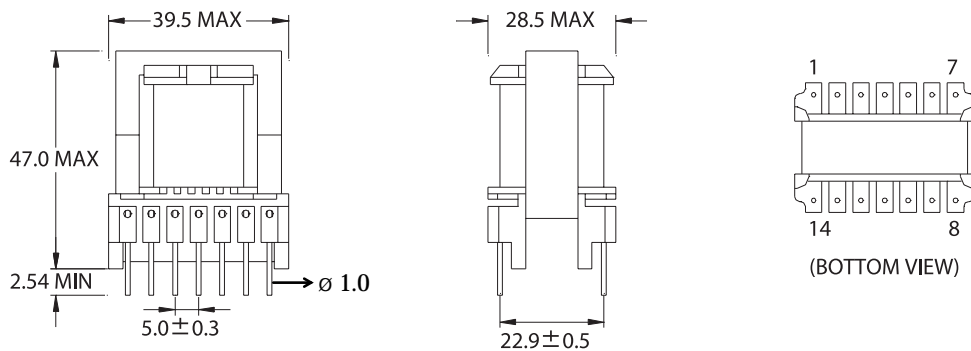
ETD29V



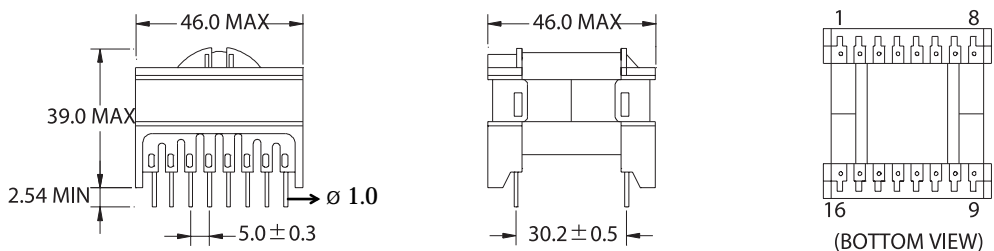
ETD34H



ETD34V



ETD39H



UNIT:mm

Power Transformers

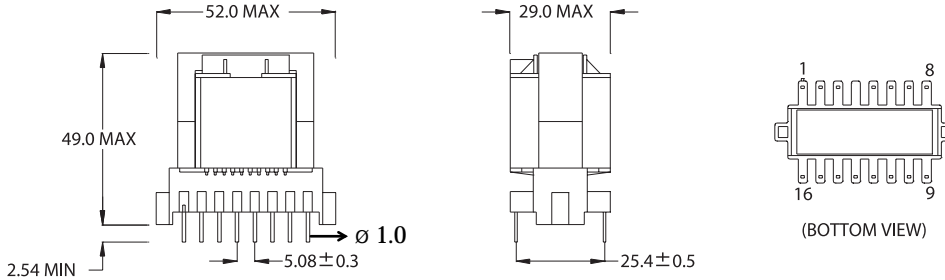
OFF-LINE Switch Mode



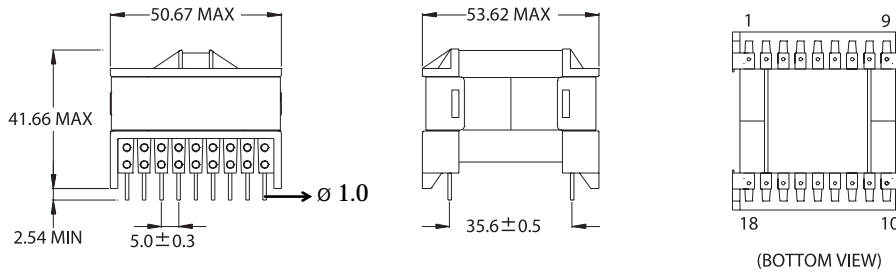
Mechanical Dimension (Only reference use)

● Outlines and data shown here of Elytone existing standard part only, refining or special design to customer requirement is also available.

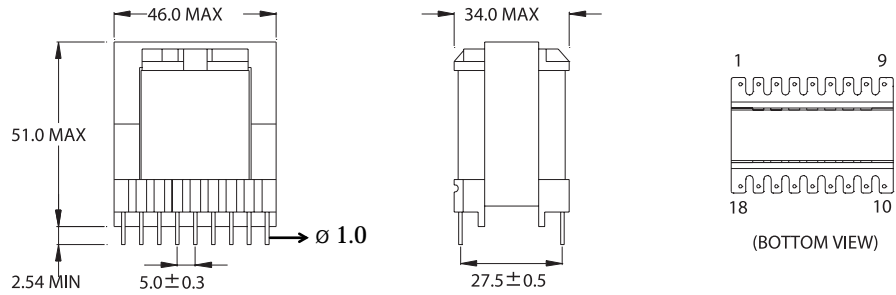
ETD39V



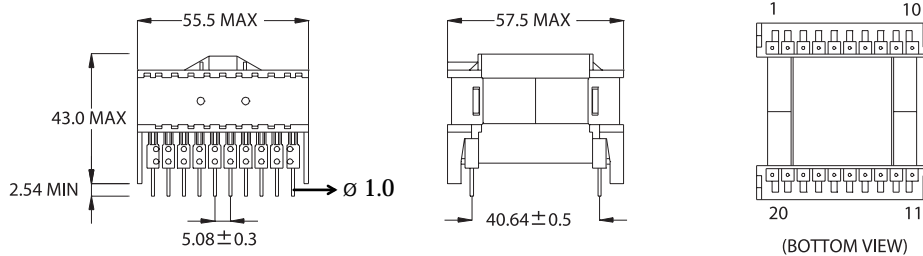
ETD44H



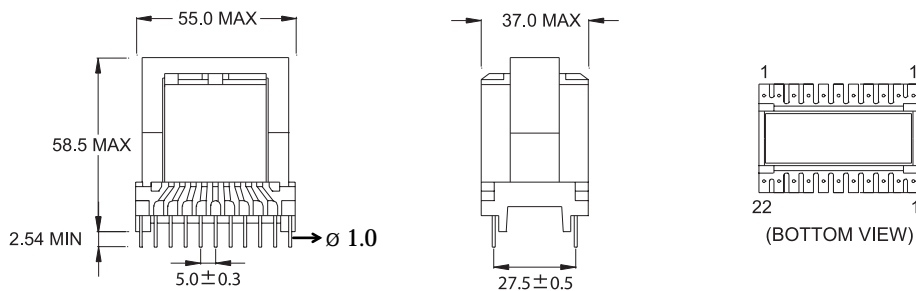
ETD44V



ETD49H



ETD49V



UNIT:mm