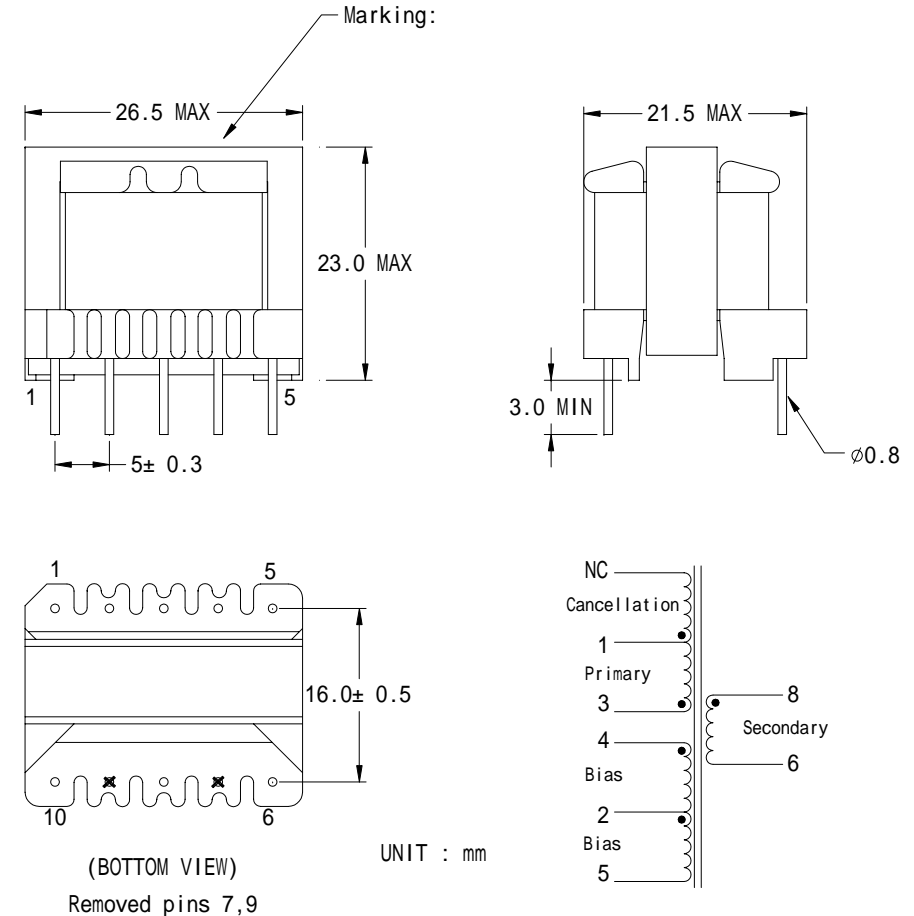


ELYTONE ELECTRONIC CO.,LTD.

Testing Item	Specification
General Electrical Specifications at :	25
Operating Temperature :	-20 ~-80
Primary Voltage Range :	85VAC~265VAC
Secondary Voltage Range :	12 VDC
Output Power Range :	12W
Core Type :	EE25V
Inductance : @ 100 KHz , 0.1 Vrms	1.05 mH ±10% (3-1 at other windings open)
D.C Resistance :	0.95 max. (3-1)
	17.0m max. (4-2)
	17.0 m max. (2-5)
	69.0 m max. (8-6)
Leakage Inductance : @ 100 KHz , 0.1 Vrms	50.0 μ H max. (3-1 with 6,8 Shorted)
Self Resonance Frequency :	400 KHz min. (3-1 at other windings open)
Hi-Pot Test :	3000 VAC 60 Hz 1 sec. form pins 1~5 to Pins 8~6
Safety	<ol style="list-style-type: none"> 1. Designed for Use with Power Integrations IC's, TinkSwitch-III TNY278P 2. Designed to comply with the requirements of IEC950,EN60950, UL1950/CAS950 and AS/NZS3260 supplementary insulation with 300V working voltage. 3. Designed to comply with the requirements of UL,IEC & CSA Insulation System Class B. 4. Comply with the requirements of EU RoHS Directive.



Part NO. : ETEPR091

Rev. : A

Sample No. : YTB-17662