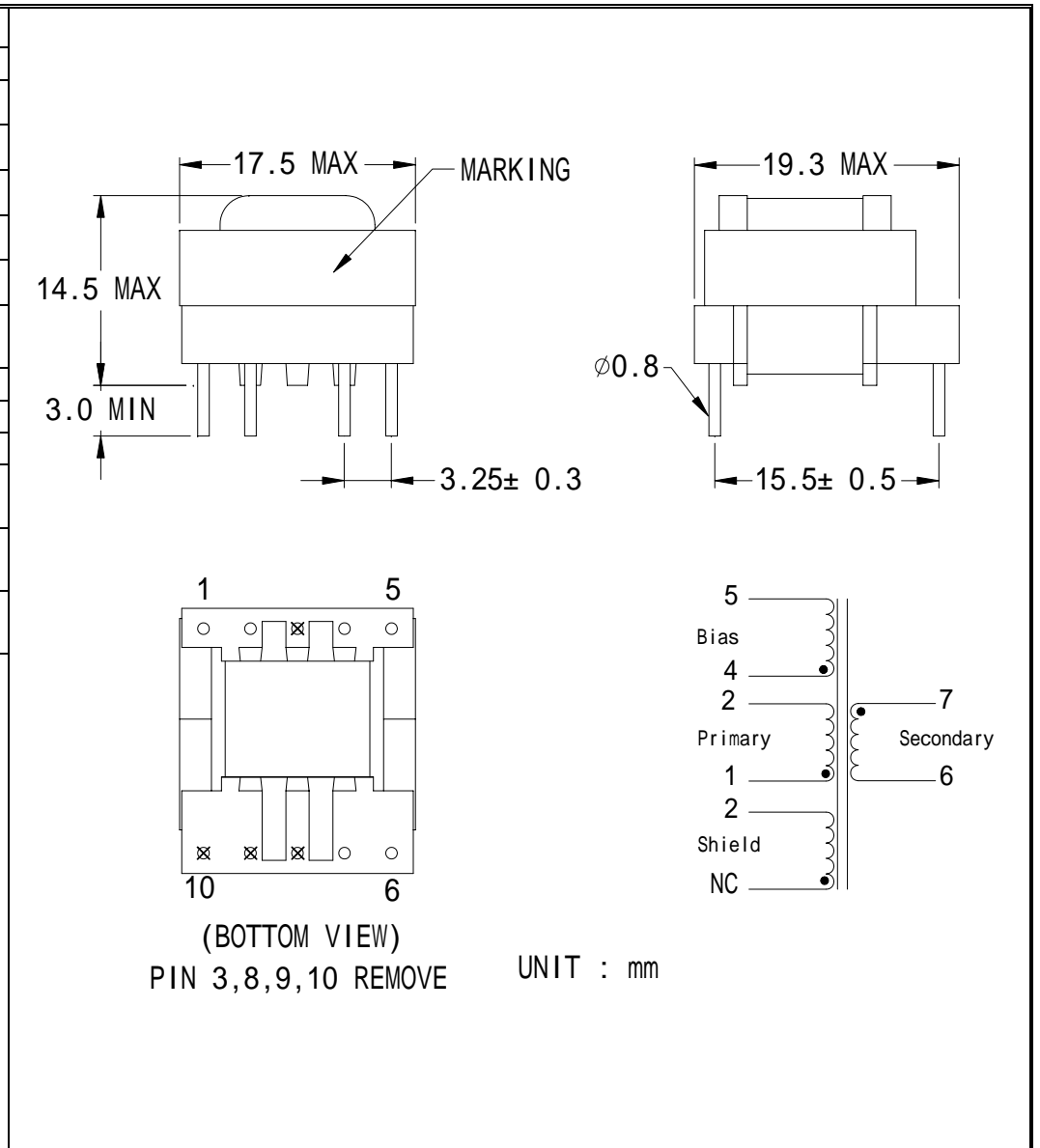


ELYTONE ELECTRONIC CO.,LTD.

Testing Item	Specification
General Electrical Specifications at :	25
Operating Temperature :	-20 ~ 80
Primary Voltage Range :	85 VAC~ 265 VAC
Secondary Voltage Range :	8 VDC ~ 12 VDC
Output Power Range :	1.3 W ~ 2 W
Core Type :	EE16
Inductance : @ 100 KHz , 0.1 Vrms	2.7 mH ± 5 % (1-2 at other windings open)
D.C Resistance :	4.41 max. (1-2)
	0.42 max. (4-5)
	81.0 m max. (7-6)
Leakage Inductance : @ 100 KHz , 0.1 Vrms	90 μ H max. (1-2 with 7-6 Shorted)
Self Resonance Frequency :	300 KHz min. (1-2 at other windings open)
Hi-Pot Test :	3000 VAC 60 Hz 1 min. form pins 1-5 to Pins 6-7
Safety	<ol style="list-style-type: none"> 1. Designed for Use with Power Integrations IC's, LinkSwitch-LP LNK562P, LNK563P & LNK564P. 2. Designed to comply with the requirements of IEC950, EN60950, UL1950/CAS950 and AS/NZS3260 supplementary insulation with 300V working voltage. 3. Designed to comply with the requirements of UL, IEC & CSA Insulation System Class B. 4. Comply with the requirements of EU RoHS Directive.



Part NO. :	ETEPR085B	Rev. : A	Sample No. : YTB-17570
------------	-----------	----------	------------------------