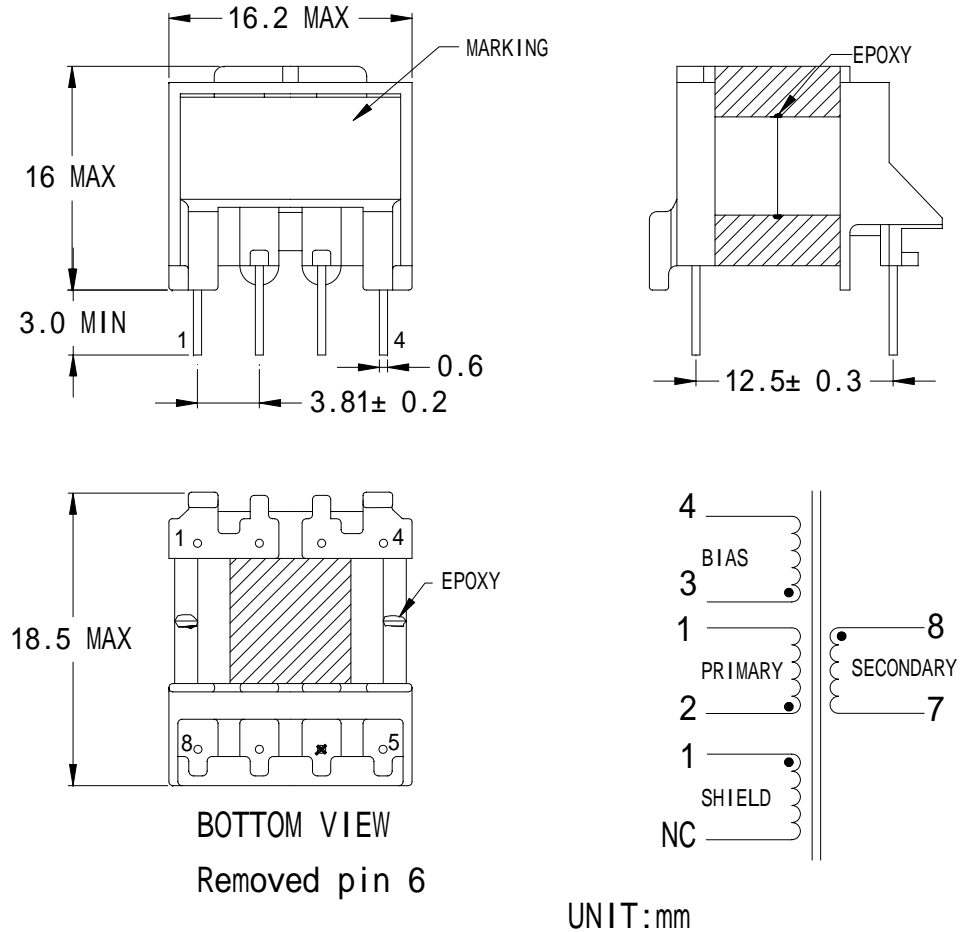


ELYTONE ELECTRONIC CO.,LTD.

Testing Item	Specification
General Electrical Specifications at :	25
Operating Temperature :	-20 ~80
Primary Voltage Range :	85VAC~265VAC
Secondary Voltage Range :	5 VDC
Output Power Range :	3W
Core Type :	EE13H
Inductance : @ 100 KHz , 0.1 Vrms	1.89 mH \pm 10% (2-1 at other windings open)
D.C Resistance :	2.4 max. (2-1)
	136 m max. (3-4)
	37 m max. (8-7)
Leakage Inductance : @ 100 KHz , 0.1 Vrms	65.0 μ H max. (2-1 with 7,8 Shorted)
Self Resonance Frequency :	800 KHz min. (2-1 at other windings open)
Hi-Pot Test :	3000 VAC 60 Hz 1 sec. form pins 1~4 to Pins7~8
Safety	<ol style="list-style-type: none"> 1. Designed for Use with Power Integrations IC's, TinkSwitch-II TNY264P 2. Designed to comply with the requirements of IEC950,EN60950, UL1950/CAS950 and AS/NZS3260 supplementary insulation with 300V working voltage. 3. Designed to comply with the requirements of UL,IEC & CSA Insulation System Class B. 4. Comply with the requirements of EU RoHS Directive.



Part NO. : ETEPR084

Rev. : A

Sample No. : YTB-17665