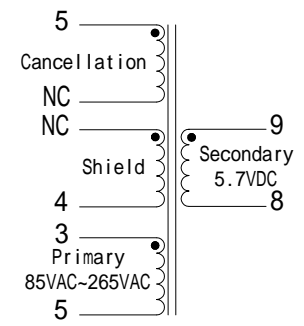
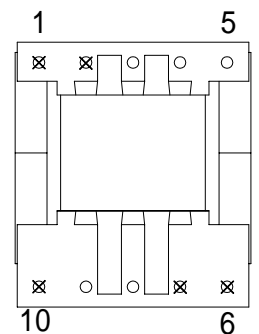
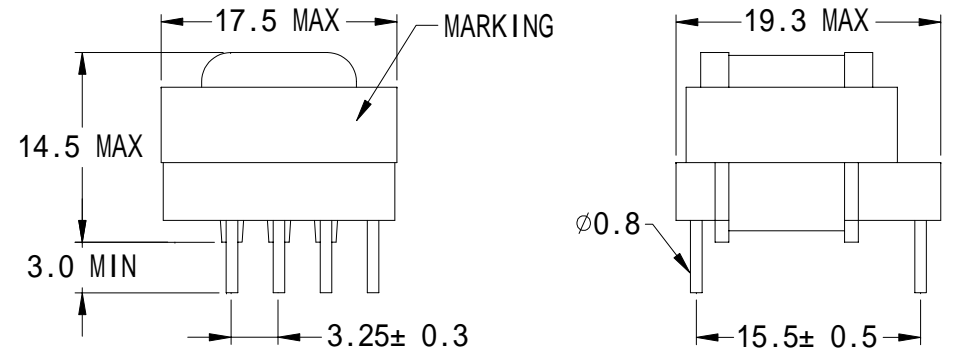


# ELYTONE ELECTRONIC CO.,LTD.

Testing Item	Specification
General Electrical Specifications at ::	25
Operating Temperature :	-20 ~ 80
Primary Voltage Range :	85 VAC~ 265 VAC
Secondary Voltage Range :	5.7 VDC
Output Power Range :	2.28 W
Core Type :	EE16
Inductance : @100 KHz , 0.1 Vrms	916 uH±12% (3-5 at other windings open)
D.C Resistance :	5.64 max. (3-5)
	50 m max. (9-8)
Leakage Inductance : @ 100 KHz , 0.1 Vrms	90.0 μH max. (3-5 with 8-9 Shorted )
Self Resonance Frequency :	650 KHz min. (3-5 at other windings open)
Hi-Pot Test :	3000 VAC 60 Hz 1 min. form pins 3-5 to Pins 8-9
Safety	<ol style="list-style-type: none"> <li>1. Designed for Use with Power Integrations IC's, LinkSwitch-HF LNK354P.</li> <li>2. Designed to comply with the requirements of IEC950,EN60950, UL1950/CAS950 and AS/NZS3260 supplementary insulation with 300V working voltage.</li> <li>3. Designed to comply with the requirements of UL,IEC &amp; CSA Insulation System Class B.</li> <li>4. Comply with the requirements of EU RoHS Directive.</li> </ol>



UNIT : mm

Part NO. : ETEPR073B	Rev. : A	Sample No. : YTB-17561
----------------------	----------	------------------------