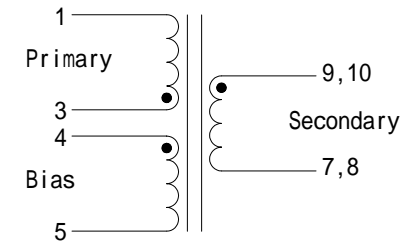
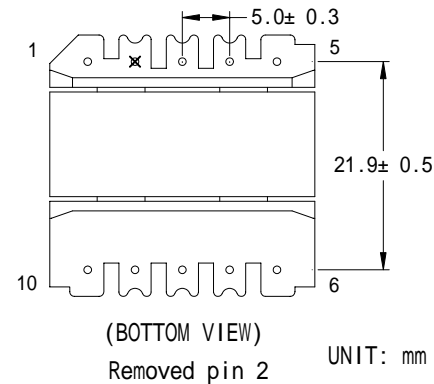
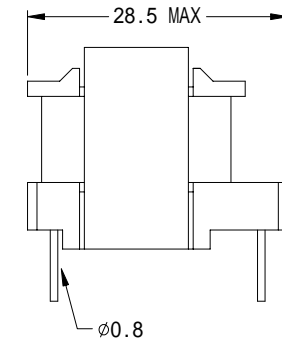
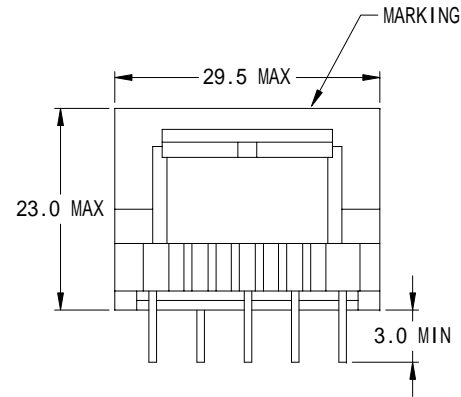


# ELYTONE ELECTRONIC CO.,LTD.

Testing Item	Specification
General Electrical Specifications at :	25
Operating Temperature :	-20 ~-80
Primary Voltage Range :	90VAC~265VAC
Secondary Voltage Range :	12 VDC
Output Power Range :	45 W
Core Type :	EE28
Inductance : @ 100 KHz , 0.1 Vrms	521 uH ±10% (3-1 at other windings open)
D.C Resistance :	220 m max. (3-1)
	19.0 m max. (4-5)
	15.0 m max. (9,10-7,8)
Leakage Inductance : @ 100 KHz , 0.1 Vrms	20.0 μ H max. (3-1 with 7~10 Shorted )
Self Resonance Frequency :	1.2 MHz min. (3-1 at other windings open)
Hi-Pot Test :	3000 VAC 60 Hz 1 min. form pins 1~5 to Pins 6~10
Safety	<ol style="list-style-type: none"> <li>1. Designed for Use with Power Integrations IC's, TopSwitch-GX TOP247Y</li> <li>2. Designed to comply with the requirements of IEC950, EN60950, UL1950/CAS950 and AS/NZS3260 supplementary insulation with 300V working voltage.</li> <li>3. Designed to comply with the requirements of UL, IEC &amp; CSA Insulation System Class B.</li> <li>4. Comply with the requirements of EU RoHS Directive.</li> </ol>



**Part NO. :** ETEPR033

**Rev. :** A

**Sample No. :** YTB-17720