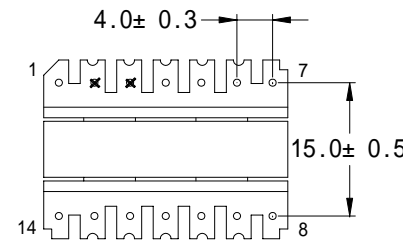
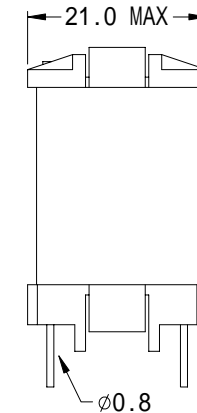
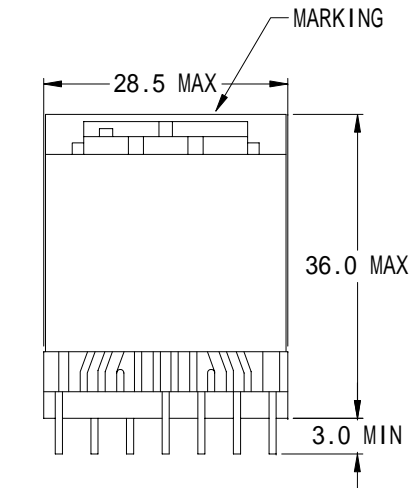


ELYTONE ELECTRONIC CO.,LTD.

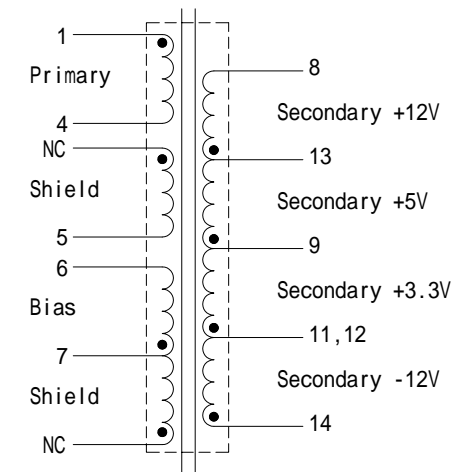
Testing Item	Specification
General Electrical Specifications at :	25
Operating Temperature :	-20 ~80
Primary Voltage Range :	90VAC~265VAC
Secondary Voltage Range :	3.3/5/12/-12 VDC
Output Power Range :	11 W
Core Type :	EEL25
Inductance : @ 100 KHz , 0.1 Vrms	1.33mH -0/+15% (1-4 at other windings open)
D.C Resistance :	0.82 max. (1-4)
	53 m max. (7-6)
	43 m max. (13-8)
	11 m max. (11-13)
	79 m max. (14-12)
Leakage Inductance : @ 100 KHz , 0.1 Vrms	30.0 μ H max. (1-4 with 8,10 Shorted)
Self Resonance Frequency :	300 KHz min. (1-4 at other windings open)
Hi-Pot Test :	3000 VAC 60 Hz 1 sec. form pins 1~5 to Pins 8~10
Safety	<ol style="list-style-type: none"> 1. Designed for Use with Power Integrations IC's, TinkSwitch-II TNY268P 2. Designed to comply with the requirements of IEC950,EN60950, UL1950/CAS950 and AS/NZS3260 supplementary insulation with 300V working voltage. 3. Designed to comply with the requirements of UL,IEC & CSA Insulation System Class B. 4. Comply with the requirements of EU RoHS Directive.



(BOTTOM VIEW)

Removed pins 2,3

UNIT: mm



Part NO. : ETEPR029

Rev. : A

Sample No. : YTB-17729