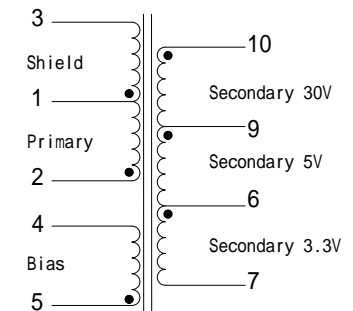
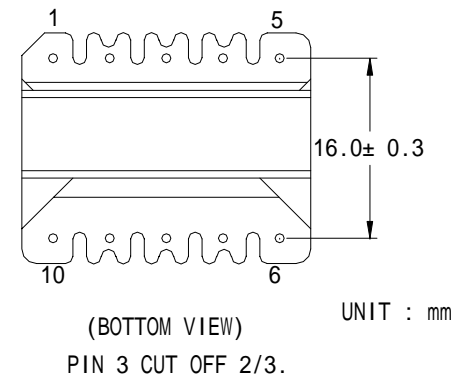
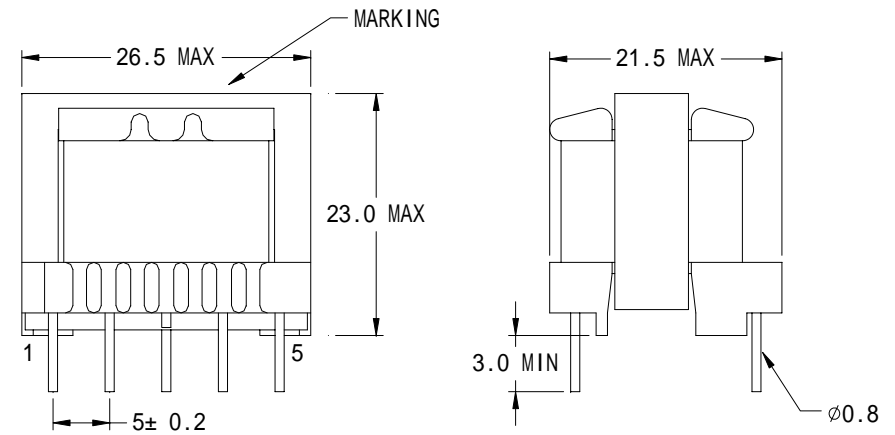


# ELYTONE ELECTRONIC CO.,LTD.

Testing Item	Specification
General Electrical Specifications at :	25
Operating Temperature :	-20 ~ 80
Primary Voltage Range :	85VAC~265VAC
Secondary Voltage Range :	3.3/5/30 VDC
Output Power Range :	10 W
Core Type :	EI 25
Inductance : @100KHz , 0.1Vrms	1.18 mH $\pm$ 10% (2-1 at other windings open)
D.C Resistance :	0.74 max (2-1)
	36.0 m max (5-4)
	8.0 m max (6-7)
	15.0 max (9-6)
Leakage Inductance : @100KHz , 0.1Vrms	123.0 max (10-9)
	30.0 $\mu$ H max (2-1 with 6 ~10 Shorted)
Self Resonance Frequency :	500KHz min (2-1 other windings open)
HI-POT Test :	3000VAC 60Hz 1min form pins 1~5 to pins 6~10
Safety	<ol style="list-style-type: none"> <li>1. Designed for Use with Power Integrations IC's, TopSwitch TOP243</li> <li>2. Designed to comply with the requirements of IEC950,EN60950, UL1950/CAS950 and AS/NZS3260 supplementary insulation with 300V working voltage.</li> <li>3. Designed to comply with the requirements of UL,IEC &amp; CSA Insulation System Class B .</li> <li>4. Comply with the requirements of EU ROHS Directive.</li> </ol>



Part NO. :

ETEPR018

Rev. : A

Sample No. : YTB-17638