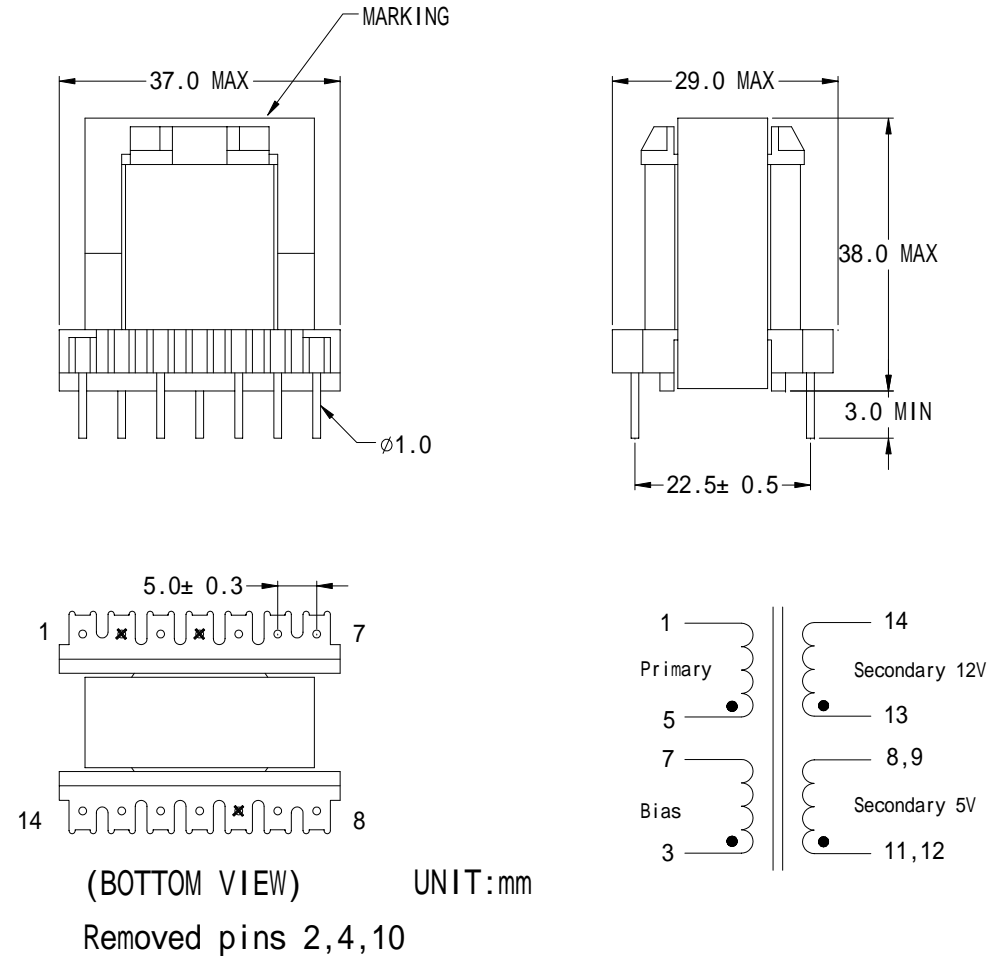


ELYTONE ELECTRONIC CO.,LTD.

Testing Item	Specification
General Electrical Specifications at :	25
Operating Temperature :	-20 ~-80
Primary Voltage Range :	185VAC~265VAC
Secondary Voltage Range :	3.3/5/12VDC
Output Power Range :	145W
Core Type :	ERL28V
Inductance : @ 100 KHz , 0.1 Vrms	4.5 mH min. (5-1 at other windings open)
D.C Resistance :	0.52 max. (5-1)
	50.0m max. (3-7)
	5.0 m max. (11,12-8,9)
	15.0 m max. (13-14)
Leakage Inductance : @ 100 KHz , 0.1 Vrms	20.0 μ H max. (5-1 with 8~14 Shorted)
Self Resonance Frequency :	200 KHz min. (5-1 at other windings open)
Hi-Pot Test :	3000 VAC 60 Hz 1 min. form pins 1~7 to Pins 8~14
Safety	<ol style="list-style-type: none"> 1. Designed for Use with Power Integrations IC's, TopSwitch-GX TOP247Y 2. Designed to comply with the requirements of IEC950,EN60950, UL1950/CAS950 and AS/NZS3260 supplementary insulation with 300V working voltage. 3. Designed to comply with the requirements of UL,IEC & CSA Insulation System Class B. 4. Comply with the requirements of EU RoHS Directive.



Part NO. : ETEPR012A

Rev. :

Sample No. : YTB-17663