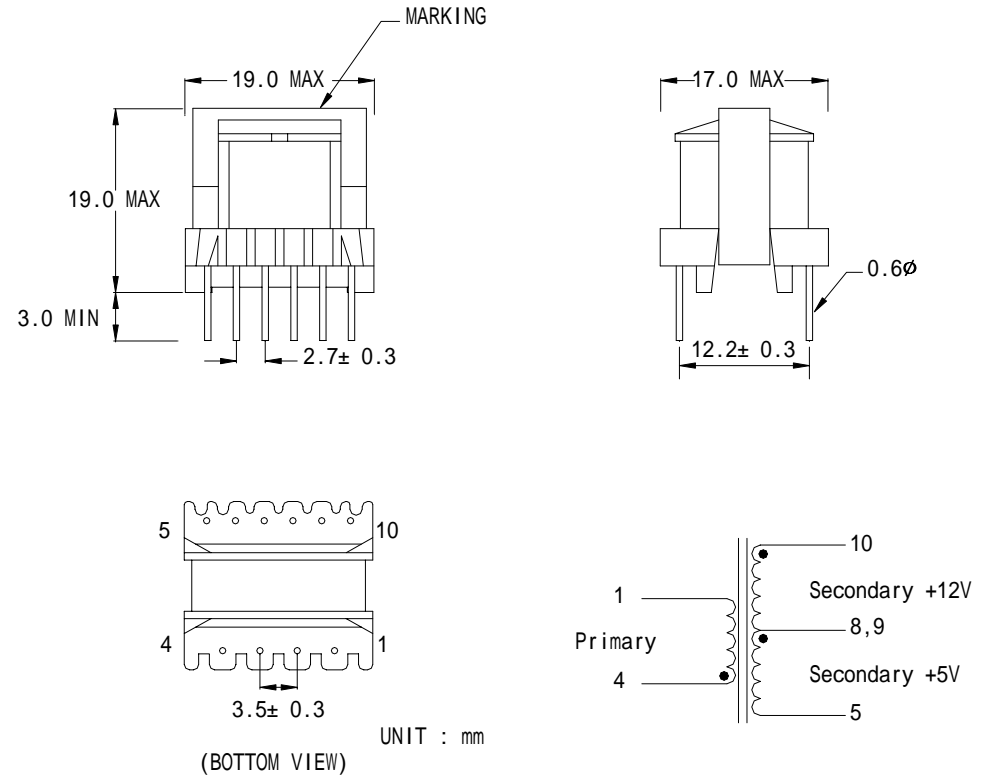


# ELYTONE ELECTRONIC CO.,LTD.

Testing Item	Specification
General Electrical Specifications at :	25
Operating Temperature :	-20 ~ 80
Primary Voltage Range :	85VAC~265VAC
Secondary Voltage Range :	5 /12 VDC
Output Power Range :	5 W
Core Type :	EE16
Inductance : @100KHz , 0.1Vrms	978 uH ±10% (4-1 at other windings open)
D.C Resistance :	2.2 max (4-1)
	34 m max (8-5)
	89 m max (10-9)
Leakage Inductance : @100KHz , 0.1Vrms	30.0 μ H max (4-1 with 5,8,9,10 Shorted)
Self Resonance Frequency :	500KHz min (4-1 other windings open)
HI-POT Test :	3000VAC 60Hz 1min form pins 1~4 to pins 5~10
Safety	<p>1. Designed for Use with Power Integrations IC's, TinySwitch TNY266.</p> <p>2. Designed to comply with the requirements of IEC950,EN60950, UL1950/CAS950 and AS/NZS3260 supplementary insulation with 300V working voltage.</p> <p>3. Designed to comply with the requirements of UL,IEC &amp; CSA Insulation System Class B .</p> <p>4. Comply with the requirements of EU ROHS Directive.</p>



Part NO. :	ETEPR009	Rev. : A	Sample No. : YTB-17618
------------	----------	----------	------------------------