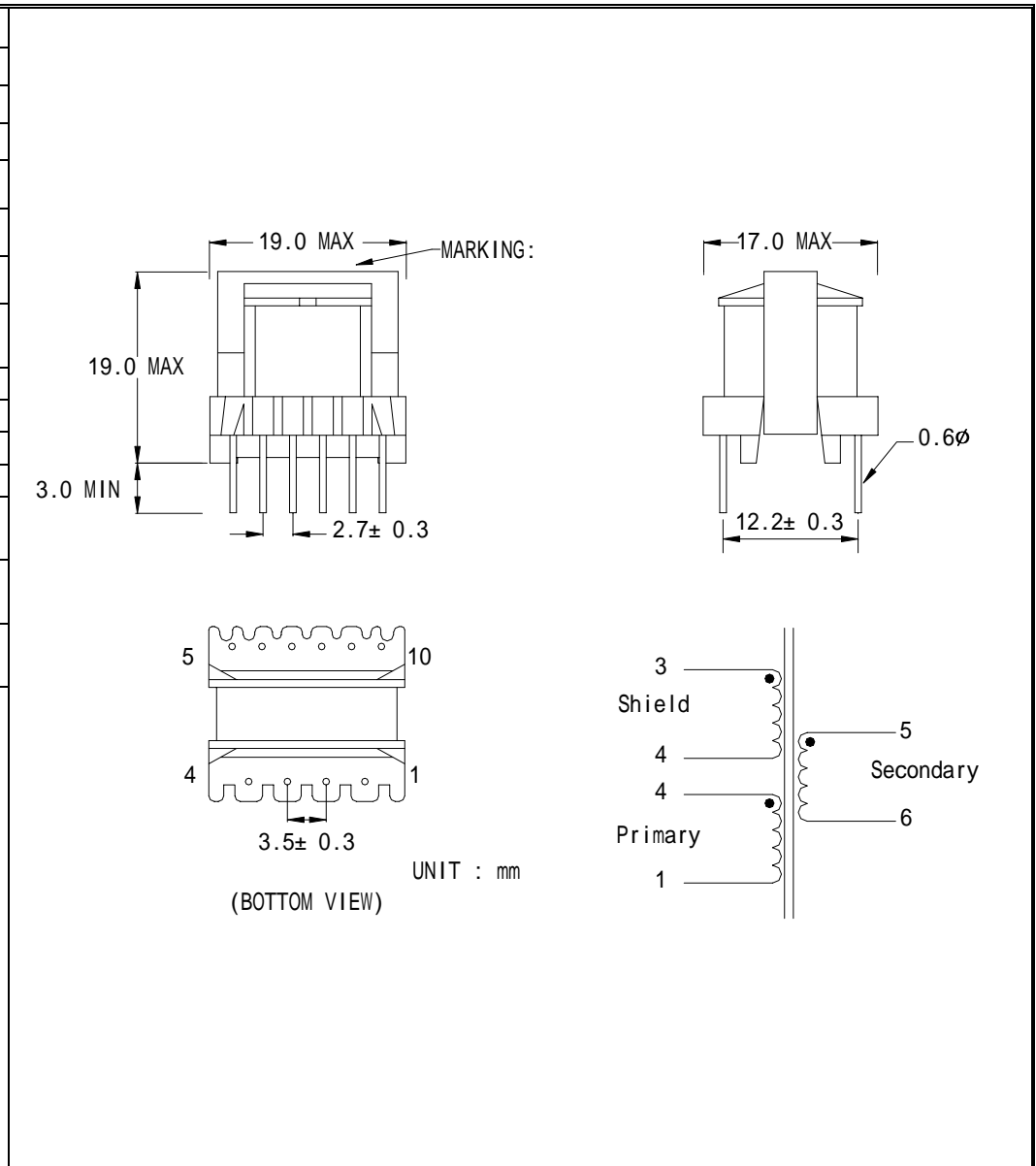


ELYTONE ELECTRONIC CO.,LTD.

Testing Item	Specification
General Electrical Specifications at :	25
Operating Temperature :	-20 ~ 80
Primary Voltage Range :	90VAC~265VAC
Secondary Voltage Range :	12 VDC
Output Power Range :	3.0W
Core Type :	EE16
Inductance : @ 100 KHz , 0.1 Vrms	2.3 mH -0%,+20% (4-1 at other windings open)
D.C Resistance :	5.4 max. (4-1)
	127 m max. (3-4)
	412 m max. (5-6)
Leakage Inductance : @ 100 KHz , 0.1 Vrms	65.0 μ H max. (4-1 with 8,10 Shorted)
Self Resonance Frequency :	200 KHz min. (4-1 at other windings open)
Hi-Pot Test :	3000 VAC 60 Hz 1 min. form pins 1~4 to Pins 5~6
Safety	<ol style="list-style-type: none"> 1. Designed for Use with Power Integrations IC's, LinkSwitch LNK501P 2. Designed to comply with the requirements of IEC950,EN60950, UL1950/CAS950 and AS/NZS3260 supplementary insulation with 300V working voltage. 3. Designed to comply with the requirements of UL,IEC & CSA Insulation System Class B. 4. Comply with the requirements of EU RoHS Directive.



Part NO. : ETDER057	Rev. : A	Sample No. : YTB-17667
---------------------	----------	------------------------