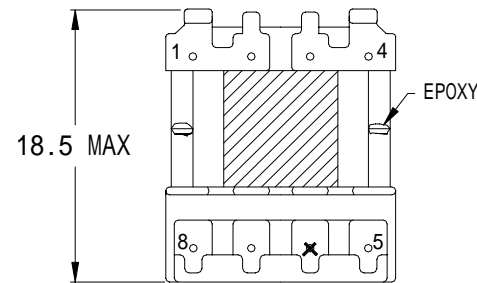
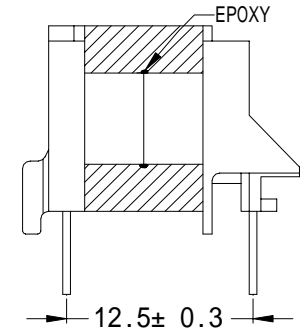
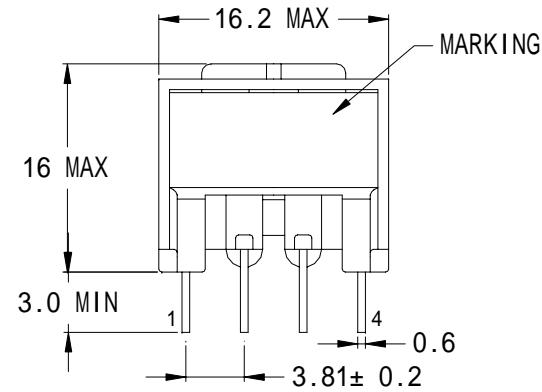


ELYTONE ELECTRONIC CO.,LTD.

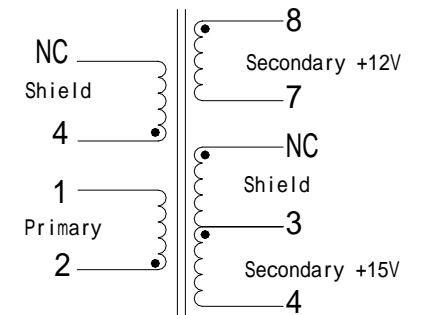
Testing Item	Specification
General Electrical Specifications at :	25
Operating Temperature :	-20 ~ 80
Primary Voltage Range :	85 VAC~265 VAC
Secondary Voltage Range :	15 /12 VDC
Output Power Range :	1.6 W
Core Type	EE13
Inductance : @ 100 KHz , 0.1 Vrms	1.8 mH±10% (2-1 at other windings open)
D.C Resistance :	5.5 max. (2-1)
	170 m max. (3-4)
	125 m max. (8-7)
Leakage Inductance : @ 100 KHz , 0.1Vrms	100 μH max. (2-1 with 7-8 Shorted)
Self Resonance Frequency :	500 KHz min. (2-1 at other windings open)
Hi-Pot Test :	3000 VAC 60 Hz 1 min. form pins 1~4 to Pins 7~8
Safety	<ol style="list-style-type: none"> 1. Designed for Use with Power Integrations IC's, LinkSwitch-TN LNK304P 2. Designed to comply with the requirements of IEC950,EN60950, UL1950/CAS950 and AS/NZS3260 supplementary insulation with 300V working voltage. 3. Designed to comply with the requirements of UL,IEC & CSA Insulation System Class B. 4. Comply with the requirements of EU RoHS Directive.



BOTTOM VIEW

Removed pin 6

UNIT:mm



Part NO. : ETDER048

Rev. : A

Sample No. : YTB-17668