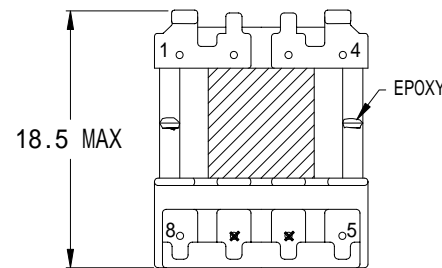
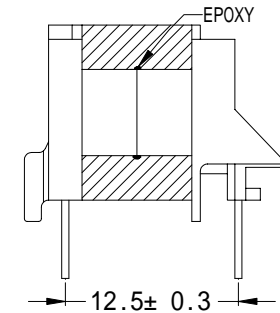
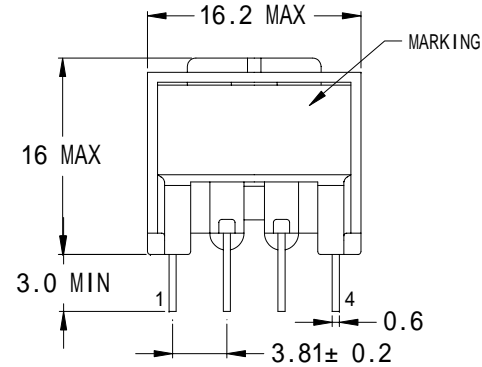
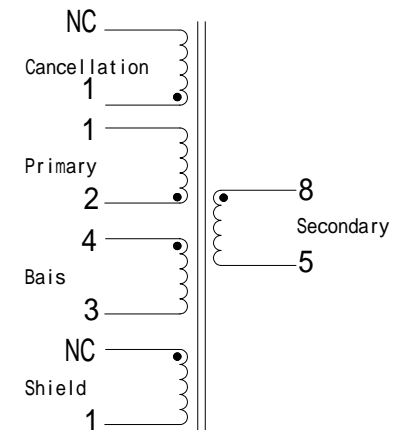


ELYTONE ELECTRONIC CO.,LTD.

Testing Item	Specification
General Electrical Specifications at :	25
Operating Temperature :	-20 ~ 80
Primary Voltage Range :	85VAC~265VAC
Secondary Voltage Range :	6.5 VDC
Output Power Range :	3.9 W
Core Type:	EE13
Inductance : @100KHz , 0.1Vrms	1.11 mH ±10% (2-1 at other windings open)
D.C.Resistance :	2.2 max (2-1)
	114 m max (4-3)
	38 m max (8-5)
Leakage Inductance : @100KHz , 0.1Vrms	50.0 μH max (2-1 with 8-5 Shorted)
Self Resonance Frequency :	600KHz min (2-1 other windings open)
HI-POT Test :	3000VAC 60Hz 1sec form pins 1~4 to pins 5~8
Safety	<ol style="list-style-type: none"> 1. Designed for Use with Power Integrations IC's, TinySwitch-II TNY266P. 2. Designed to comply with the requirements of IEC950, EN60950, UL1950/CAS950 and AS/NZS3260 supplementary insulation with 300V working voltage. 3. Designed to comply with the requirements of UL, IEC & CSA Insulation System Class B . 4. Comply with the requirements of EU ROHS Directive.



BOTTOM VIEW
Removed pins 6,7
UNIT:mm



Part NO. :

ETDER033

Rev. : A

Sample No. : YTB-17653