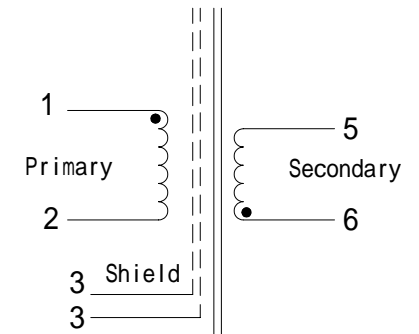
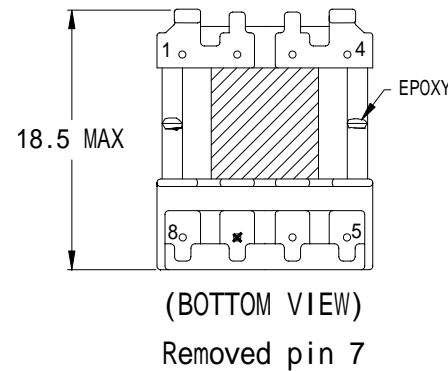
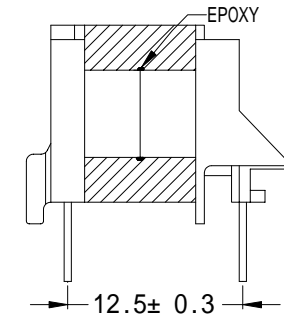
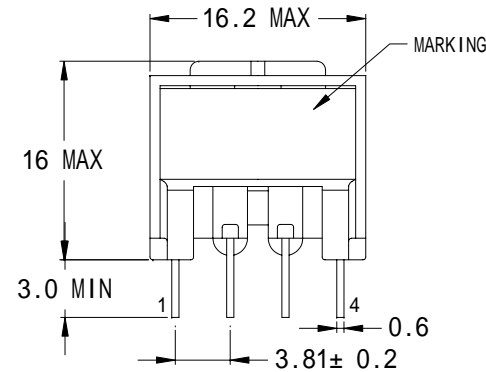


# ELYTONE ELECTRONIC CO.,LTD.

| Testing Item                                 | Specification  |
|--|--|
| General Electrical Specifications at :       | 25   |
| Operating Temperature :                      | -20 ~ 80   |
| Primary Voltage Range :                      | 198 VAC 253 VAC  |
| Secondary Voltage Range :                    | 3.6 VDC  |
| Output Power Range :                         | 2.20 W   |
| Core Type :                                  | EE13   |
| Inductance :<br>@ 100 KHz , 0.1 Vrms         | 2.20 ~ 2.53mH<br>(1-2 at other windings open)  |
| D.C Resistance :                             | 4.3 max. (1-2)   |
|  | 36.0 m max. (6-5)  |
| Leakage Inductance :<br>@ 100 KHz , 0.1 Vrms | 100.0 $\mu$ H max.<br>(1-2 with 5-6 Shorted )  |
| Self Resonance Frequency :                   | 300 KHz min.<br>(1-2 at other windings open)   |
| Hi-Pot Test :                                | 3000 VAC 60 Hz 1 min.<br>form pins 1~3 to Pins 5~6   |
| Safety                                       | <ol style="list-style-type: none"> <li>1. Designed for Use with Power Integrations IC's, LinkSwitch LNK501P</li> <li>2. Designed to comply with the requirements of IEC950,EN60950, UL1950/CAS950 and AS/NZS3260 supplementary insulation with 300V working voltage.</li> <li>3. Designed to comply with the requirements of UL,IEC &amp; CSA Insulation System Class B.</li> <li>4. Comply with the requirements of EU RoHS Directive.</li> </ol> |



UNIT:mm

Part NO. : ETDER015

Rev. : A

Sample No. : YTB-17573