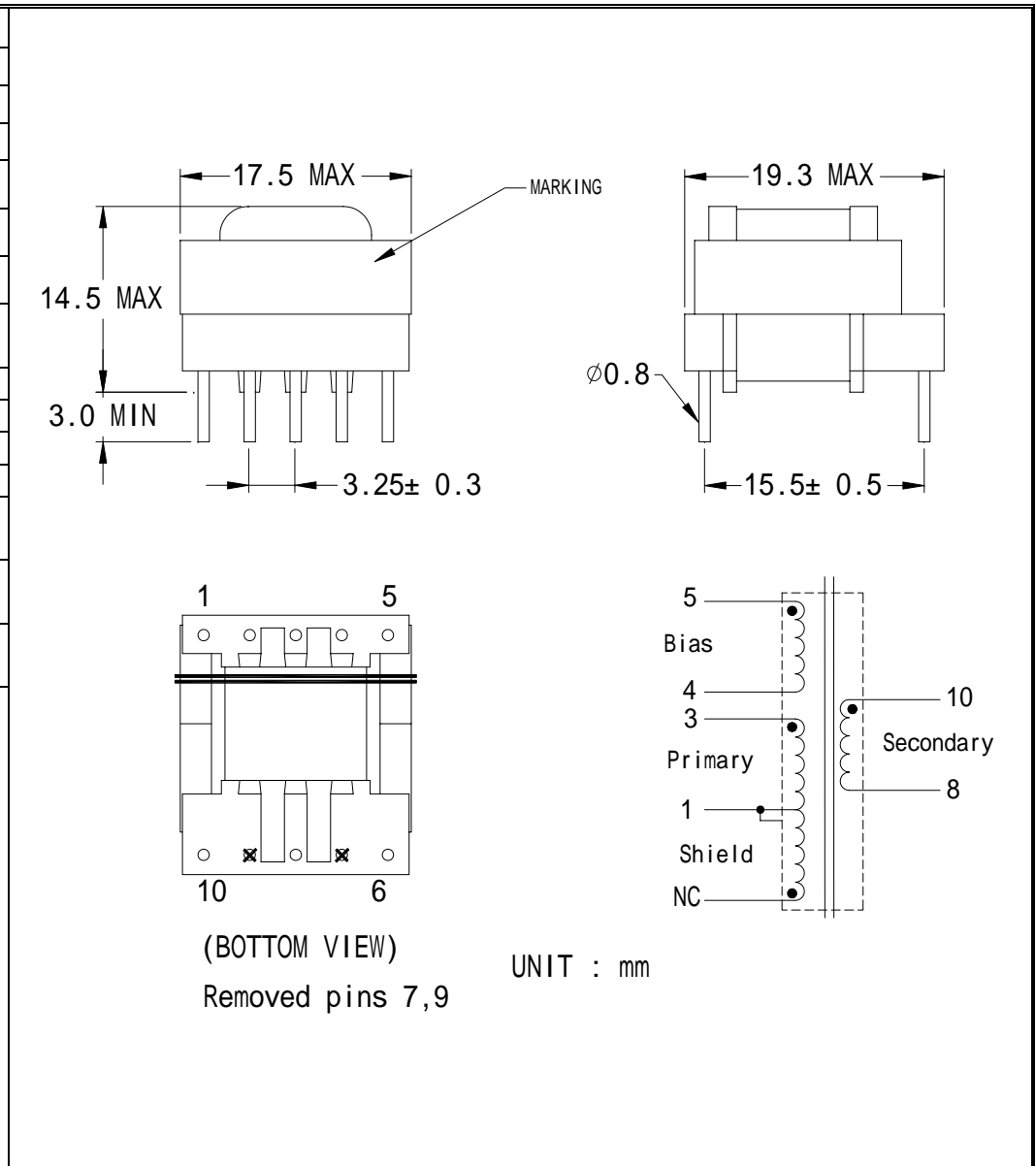


# ELYTONE ELECTRONIC CO.,LTD.

| Testing Item                                | Specification  |
|---|--|
| General Electrical Specifications at :      | 25   |
| Operating Temperature :                     | -20 ~ 80   |
| Primary Voltage Range :                     | 85 VAC~265 VAC   |
| Secondary Voltage Range :                   | 5.9 VDC  |
| Output Power Range :                        | 2.4 W  |
| Core Type                                   | EE16   |
| Inductance :<br>@ 100 KHz , 0.1 Vrms        | 3.55 mH±7%<br>(3-1 at other windings open)   |
| D.C.Resistance :                            | 4.8 max. (3-1)   |
|   | 1.6 max. (5-4)   |
|   | 95 m max. (10-8)   |
| Leakage Inductance :<br>@ 100 KHz , 0.1Vrms | 95 μ H max.<br>(3-1 with 10,8 Shorted )  |
| Self Resonance Frequency :                  | 350 KHz min.<br>(3-1 at other windings open)   |
| Hi-Pot Test :                               | 3000 VAC 60 Hz 1 min.<br>form pins 1~5 to Pins 8~10  |
| Safety                                      | <ol style="list-style-type: none"> <li>1. Designed for Use with Power Integrations IC's, LinkSwitch LNK500P</li> <li>2. Designed to comply with the requirements of IEC950,EN60950, UL1950/CAS950 and AS/NZS3260 supplementary insulation with 300V working voltage.</li> <li>3. Designed to comply with the requirements of UL,IEC &amp; CSA Insulation System Class B.</li> <li>4. Comply with the requirements of EU RoHS Directive.</li> </ol> |



|                     |          |                        |
|---------------------|----------|------------------------|
| Part NO. : ETDER001 | Rev. : A | Sample No. : YTB-17584 |
|---------------------|----------|------------------------|