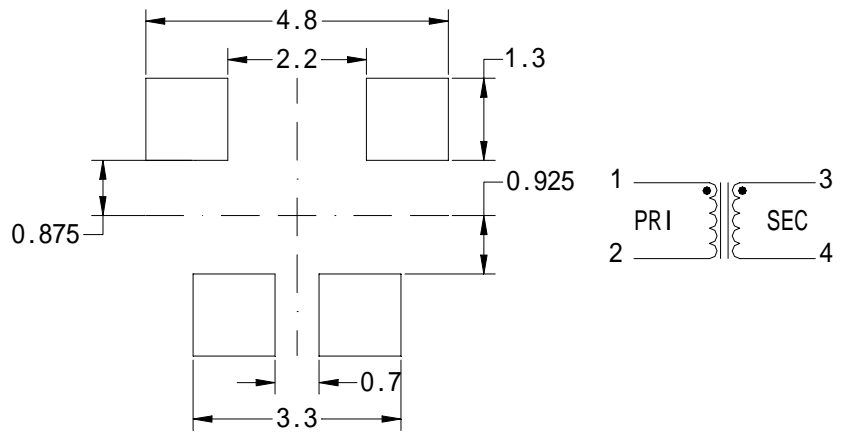
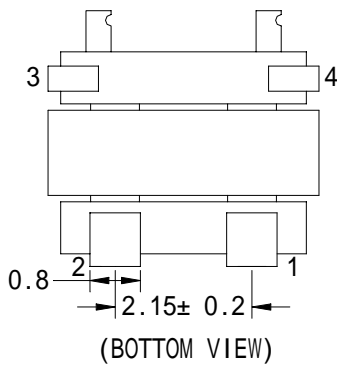
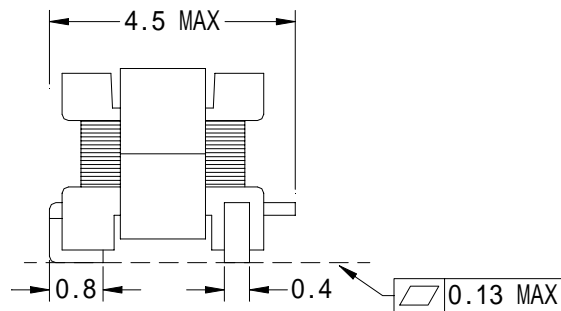
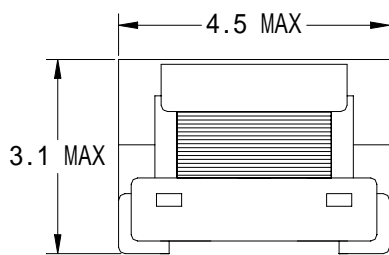


ET-72700 SERIES

Current Sense Transformer



UNIT : mm

RECOMMENDED PCB LAYOUT

Electrical Specifications AT 25

Operating Temperature -25

to 125

Part Number	Turns Ratio pri:sec	Secondary Inductance at 100KHz,0.1V (mH Min)	Secondary DCR (Max)	Primary Current Maximun (Amps)	Hi-pot (Vrms)
ET-72701	1 : 50	0.2	7.0	2	500
ET-72702	1 : 75	0.5	11.0	2	500
ET-72703	1:100	0.85	14.0	2	500
ET-72704	1:150	1.3	20.0	2	500