

ET-72100 SERIES

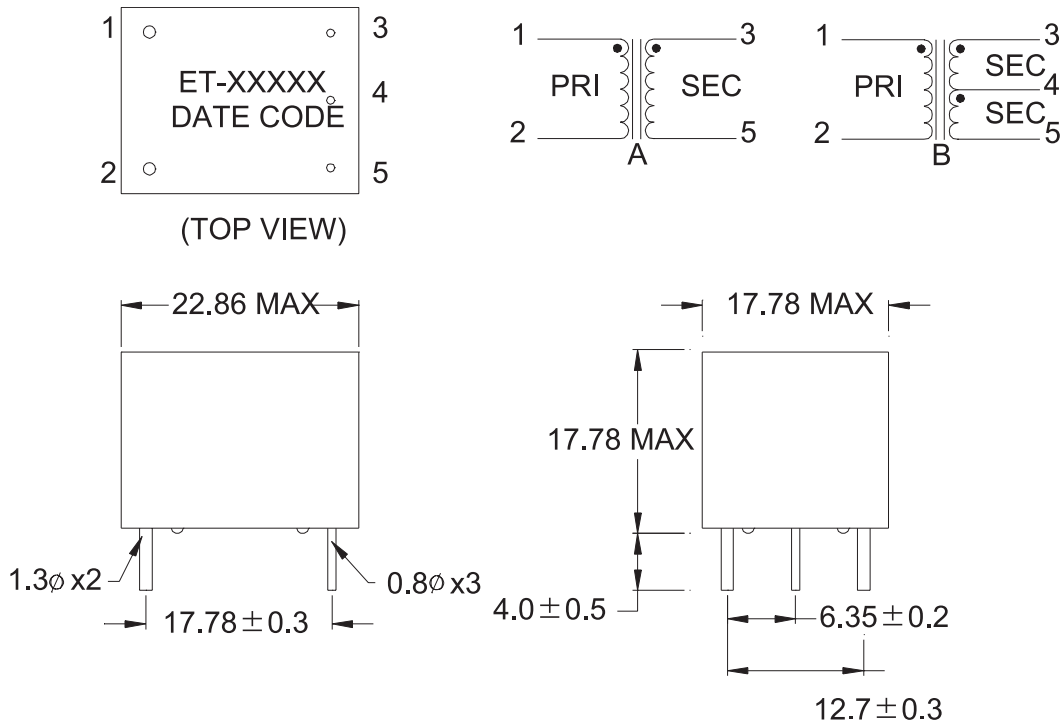


Current Sense Transformers



- Primary and secondary furnished
- Designed for switch power supply application
- Encapsulated with plastic housing and potting
- 3750Vrms primary to secondary Hi-Pot
- Frequency range 20KHz to 200KHz

Mechanical Dimensions:



UNIT:mm

Electrical Specifications AT 25°C — Operating Temperature -25°C to 125°C

Part Number	Schematic Figure	Secondary Turns	Secondary Inductance (mH Min)	Secondary Inductance Test Voltage 15.75KHz	Secondary DCR (Ω Max)	Secondary Rated Terminating Resistance (Ω Nom)	Primary Unipolar (Amp- μs) Rating (Max.)	Primary Bipolar (Amp- μs) Rating (Max.)	1 Turn Primary Peak Sense Current (Amps)
ET - 72101	A	50	5.0	0.5	0.7	50	150	300	20
ET - 72102	A	100	20.0	1.0	1.40	100	300	600	20
ET - 72103	A	200	80.0	2.0	4.50	200	600	1200	20
ET - 72104	A	300	180.0	3.0	11.0	300	900	1800	20
ET - 72105	B	50CT	5.0	0.5	0.7	50	150	300	20
ET - 72106	B	100CT	20.0	1.0	1.40	100	300	600	20
ET - 72107	B	200CT	80.0	2.0	4.50	200	600	1200	20
ET - 72108	B	300CT	180.0	3.0	11.0	300	900	1800	20