

ET-557 SERIES

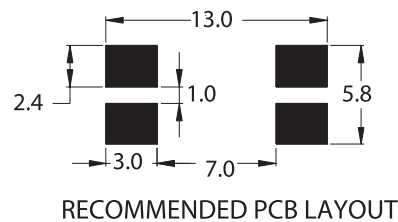
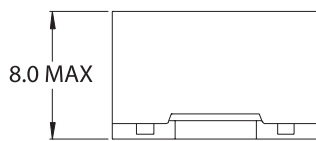
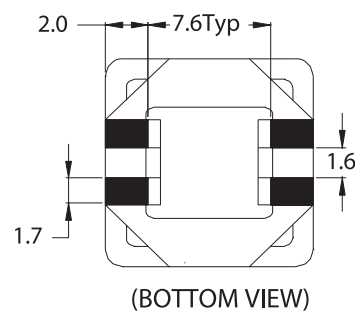
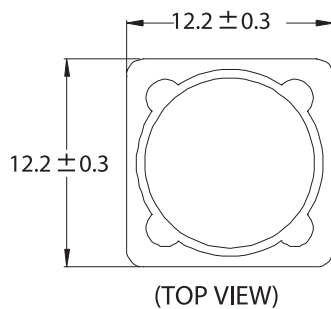


SMD Transformers



- Low profile Magnetically shielded transformer
- High current - up to 7 Adc saturation current
- Low cost
- Ideal for DC-DC converter, PC, PDA, Power supply applications
- Custom versions available upon request
- Tape & Reel package

Mechanical Dimensions:



UNIT:mm

Part Number	Inductance ¹ (μ H \pm 30%)		DCR (m Ω max.)		Turn ratio (L1 : L2)	Isat ² (Adc)
	L1	L2	L1	L2		
ET - 557 - 7622	7.6	38	25	300	1 : 2.2	7.0
ET - 557 - 1022	10	45	30	320	1 : 2.2	4.5
ET - 557 - 1042	10	178	30	660	1 : 4.2	4.5

1. Inductance tested at 1kHz, 1Vrms, 0Adc.
2. L1 inductance drop = 25% typ. at rated Isat.
3. Δ T = 45°C rise typ.
4. Operating temperature range -40°C to + 85°C.
5. Electrical specifications at 25°C.