

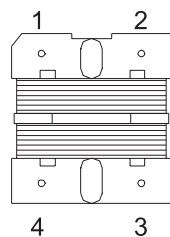
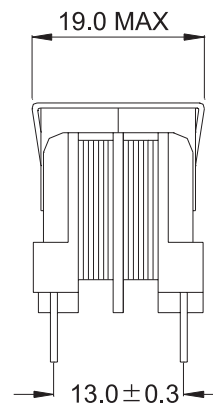
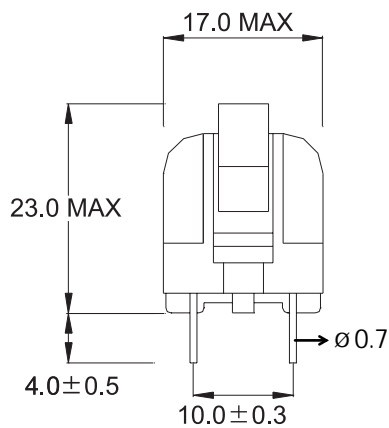
ET-52400 SERIES



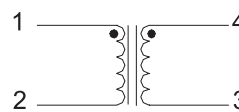
AC Line Filters EMI / RFI Common Mode Choke



- Prevents noise emission, such as electromagnetic interference (EMI) & radio frequency interference (RFI)
- Protects AC side from the effects of switching regulators
- Wide range of available inductances and current ratings



(BOTTOM VIEW)



UNIT:mm

Part Number	Inductance (mH MIN)	DCR (Ω Max)	Rated current Iac (A)
ET - 52401	10	3.0	0.3
ET - 52402	5	1.5	0.5
ET - 52403	4	1.0	0.7
ET - 52404	3	0.5	1.0
ET - 52405	2	0.5	1.0
ET - 52406	1	0.3	1.3
ET - 52407	0.6	0.15	2.0

1. Inductance tested at 10kHz, 0.1Vrms.
2. Rated voltage : 250VAC/VDC
3. Withstanding voltage: 2000VAC (one minute, between lines).
4. Insulation resistance: at 500VDC, more than 100M Ω (between lines).
5. Electrical specifications at 25°C.