

ET-52200 SERIES



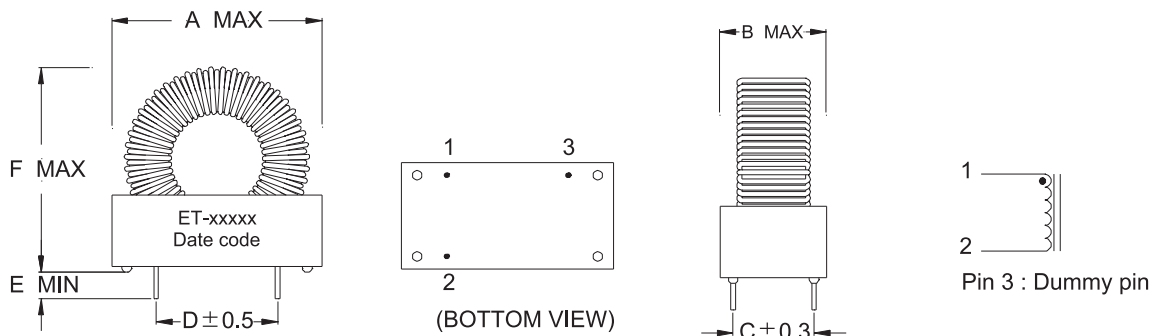
High Current Toroidal Inductors



- 130°C maximum operation temperature
- Low profile in horizontal package available on request
- Bare coil available on request

Size Code	1	2	3	4	5	6
A	30.48	36.57	40.64	49.53	58.42	33.02
B	15.24	20.32	20.32	23.11	28.19	22.86
C	10.16	15.24	15.24	17.78	22.85	16.76
D	20.32	22.86	22.86	30.48	38.10	19.05
E	5.08	5.08	5.08	5.08	5.08	2.54
F	30.48	36.57	43.68	50.80	58.42	35.56

Mechanical Dimensions:



UNIT:mm

Electrical Specifications at 25°C

Part Number	Reference Operating Values				Design Control Values					
	Inductance Typical (μ H)	IDC (Amps)	E _{Top} (V- μ s)		Inductance No DC (μ H \pm 20%)	50kHz Test Volts No DC	DCR (m Ω) (Max.)	Size Code	Lead Dia. mm	Min. Energy Storage (μ J)
			20KHz	40KHz						
ET - 52201	17.0	17.0	190	130	40.0	0.14	6.5	3	2.0	2460
ET - 52202	32.0	16.0	290	200	70.7	0.27	9.2	4	2.0	4100
ET - 52203	60.0	16.0	390	270	120.0	0.47	12	5	2.0	7700
ET - 52204	14.0	10.0	135	95	28.5	0.073	9.0	1	1.45	700
ET - 52205	23.0	11.0	170	120	43.5	0.13	12	2	1.45	1400
ET - 52206	43.0	10.0	280	195	85.5	0.21	18	3	1.45	2150
ET - 52207	90.0	10.0	430	300	158.0	0.42	28	4	1.45	4500
ET - 52208	144.0	10.0	570	400	262.0	0.70	32	5	1.45	7200
ET - 52209	32.0	6.6	200	140	60.5	0.11	25	1	1.0	700
ET - 52210	52.0	7.0	230	160	92.0	0.19	32	2	1.0	1275
ET - 52211	98.0	6.0	400	280	188.0	0.31	48	3	1.0	1765
ET - 52212	175.0	6.0	620	425	315.0	0.56	68	4	1.0	3150
ET - 52213	335.0	6.0	840	580	571.0	1.0	95	5	1.0	6030
ET - 52214	280.0	3.5	500	350	325.0	0.06	200	6	1.30	1715
ET - 52215	470.0	3.5	600	420	1000.0	1.00	130	3	0.90	2630
ET - 52216	400.0	3.6	600	420	688.0	0.64	130	3	0.90	2700