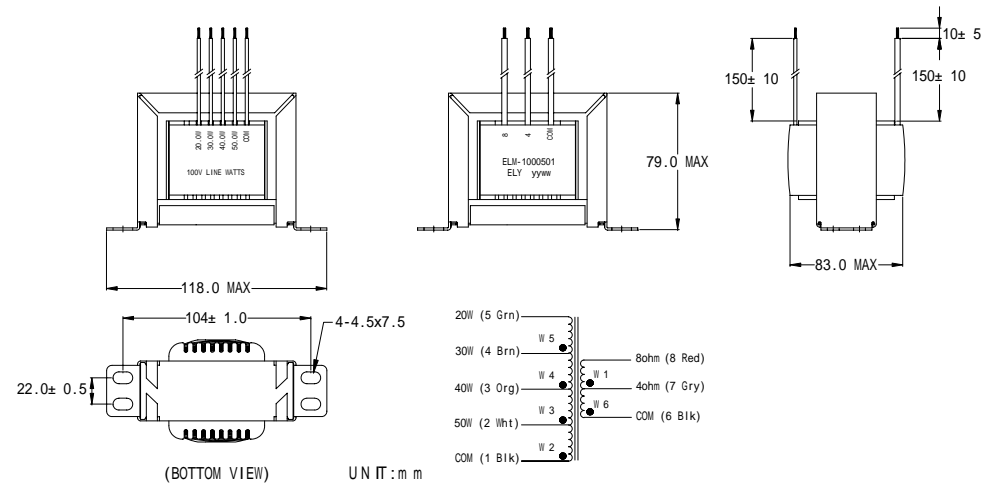


ELYTONE ELECTRONIC CO., LTD.

Testing Item	Specification
Operating Temperature Range :	-40 +80
General Electrical Specifications at :	25
Input Voltage :	100 Voltage
Input Power Range :	50W / 40W / 30W / 20W
Output Load :	4 or 8
Core Type :	EI 86H
Inductance : @ 40 Hz , 1.0 Vrms	1 H minimum. (20 W at other windings open)
D.C. Resistance :	6.0 maximum. (Input)
	0.1 maximum. (Output)
Leakage Inductance : @ 15K Hz , 1.0 Vrms	1.3 mH maximum. (20 W with 8 Shorted)
Interwinding Capacitance : @ 15K Hz , 1.0 Vrms	800 pF maximum. (Input to Output)
Frequency Response : @ 1K Hz reference	± 1.0 dB (40 Hz ~ 15K Hz) @ 50 W , Load 4
Insertion Loss : @ 1K Hz reference	0.5 dB maximum. @ 50 W , Load 4
Total Harmonic Distortion :	1.25 % maximum. @ 100 Hz , 50 W , Load 4
Power Transfer Efficiency :	90 % minimum @ 50 W , Load 4
Turns Ratio : Input com ~ 20 W @ 1K Hz , 100 Voltage	13.64 V \pm 3 % @ 50 W , Load 4
	12.26 V \pm 3 % @ 40 W , Load 4
	10.65 V \pm 3 % @ 30 W , Load 4
	8.71 V \pm 3 % @ 20 W , Load 4
Hi-Pot Test :	1000 VAC 60 Hz 1 minute form Input to Output
Safety :	comply with the requirements of EU RoHS Directive.



Customer :		Part No. :	ELM-1000501	Rev. : 1	Sample No. : YT-
------------	--	------------	-------------	----------	------------------