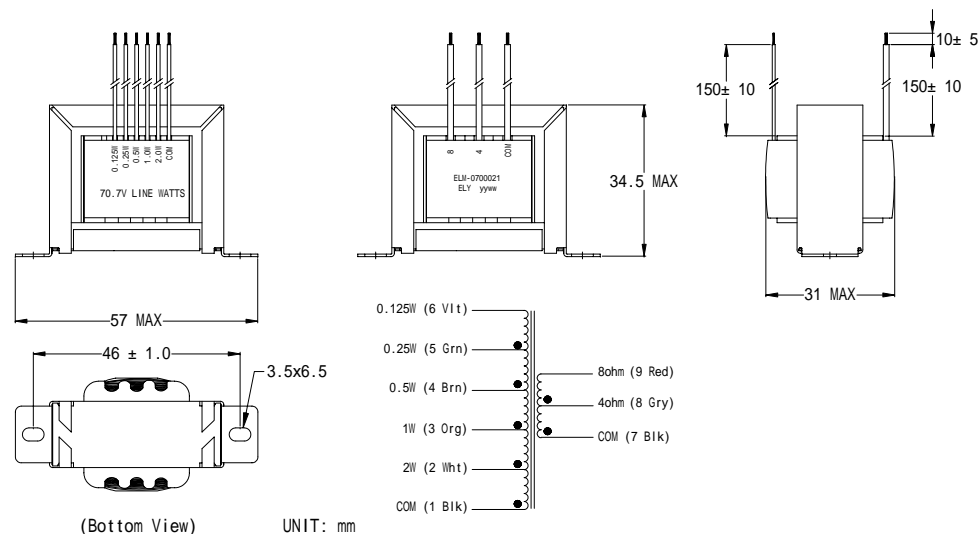


# ELYTONE ELECTRONIC CO., LTD.

Testing Item	Specification
Operating Temperature Range :	-40 +80
General Electrical Specifications at :	25
Input Voltage :	70.7 Voltage
Input Power Range :	2W / 1W / 0.5W / 0.25W / 0.125W
Output Load :	4 or 8
Core Type :	EI 35H
Inductance : @ 50 Hz , 1.0 Vrms	112 H minimum. ( 0.125 W at other windings open )
D.C. Resistance :	4330 maximum. ( Input )
	0.5 maximum. ( Output )
Leakage Inductance : @ 15K Hz , 1.0 Vrms	100 mH maximum. ( 0.125 W with 8 Shorted )
Interwinding Capacitance : @ 15K Hz , 1.0 Vrms	400 pF maximum. ( Input to Output )
Frequency Response : @ 1K Hz reference	$\pm 1.0$ dB ( 50 Hz ~ 15K Hz ) @ 2 W , Load 4
Insertion Loss : @ 1K Hz reference	1.5 dB maximum. @ 2 W , Load 4
Total Harmonic Distortion :	1.5 % maximum. @ 100 Hz , 2 W , Load 4
Power Transfer Efficiency :	70 % minimum @ 2 W , Load 4
Turns Ratio : Input com ~ 0.125 W @ 1K Hz , 70.7 Voltage	2.04 V $\pm$ 3 % @ 2 W , Load 4
	1.54 V $\pm$ 3 % @ 1 W , Load 4
	1.15 V $\pm$ 3 % @ 0.5 W , Load 4
	0.84 V $\pm$ 3 % @ 0.25 W , Load 4
	0.61 V $\pm$ 3 % @ 0.125 W , Load 4
Hi-Pot Test :	1000 VAC 60 Hz 1 minute form Input to Output
Safety :	comply with the requirements of EU RoHS Directive.



Customer :	Part No. :	ELM-0700021	Rev. : 1	Sample No. : YT-
------------	------------	-------------	----------	------------------