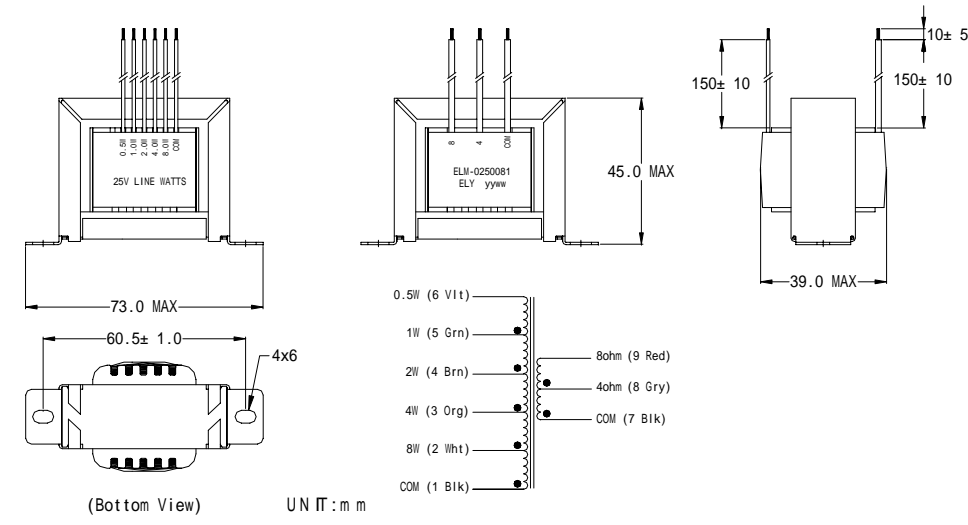


ELYTONE ELECTRONIC CO., LTD.

Testing Item	Specification			
Operating Temperature Range :	-40 +80			
General Electrical Specifications at :	25			
Input Voltage :	25 Voltage			
Input Power Range :	8W / 4W / 2W / 1W / 0.5W			
Output Load :	4 or 8			
Core Type :	EI 48H			
Inductance : @ 50 Hz , 1.0 Vrms	3.2 H minimum. (0.5 W at other windings open)			
D.C. Resistance :	80 maximum. (Input)			
	0.35 maximum. (Output)			
Leakage Inductance : @ 15K Hz , 1.0 Vrms	4.4 mH maximum. (0.5 W with 8 Shorted)			
Interwinding Capacitance : @ 15K Hz , 1.0 Vrms	500 pF maximum. (Input to Output)			
Frequency Response : @ 1K Hz reference	± 1.5 dB (50 Hz ~ 15K Hz) @ 8 W , Load 4			
Insertion Loss : @ 1K Hz reference	1.25 dB maximum. @ 8 W , Load 4			
Total Harmonic Distortion :	1.25 % maximum. @ 100 Hz , 8 W , Load 4			
Power Transfer Efficiency :	75 % minimum @ 8 W , Load 4			
Turns Ratio : Input com ~ 0.5 W @ 1K Hz , 25 Voltage	4.50 V \pm 3 % @ 8 W , Load 4			
	3.35 V \pm 3 % @ 4W , Load 4			
	2.38 V \pm 3 % @ 2 W , Load 4			
	1.76 V \pm 3 % @ 1 W , Load 4			
	1.28 V \pm 3 % @ 0.5 W , Load 4			
Hi-Pot Test :	1000 VAC 60 Hz 1 minute form Input to Output			
Safety :	comply with the requirements of EU RoHS Directive.			
Customer :	Part No. :	ELM-0250081	Rev. : 1	Sample No. : YT-