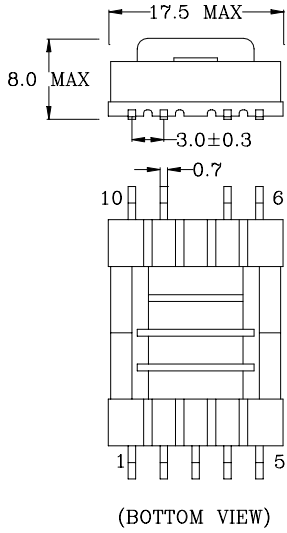


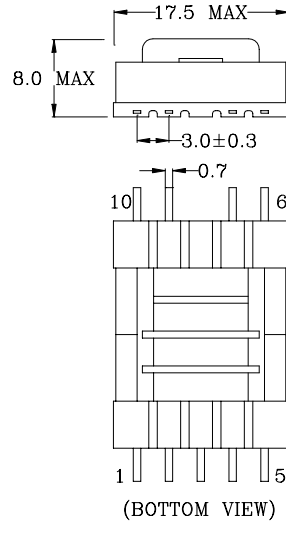
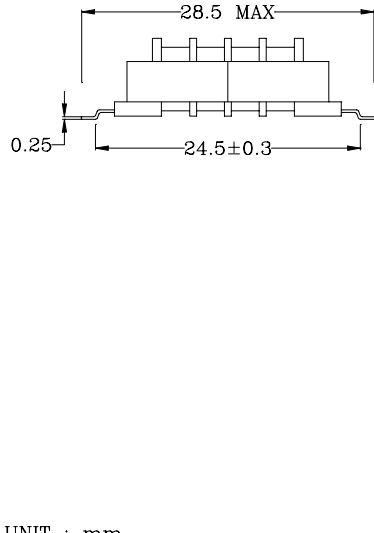


5.0Watts CCFL Driving Inverter Transformers



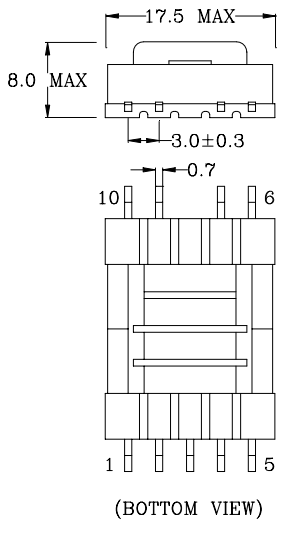
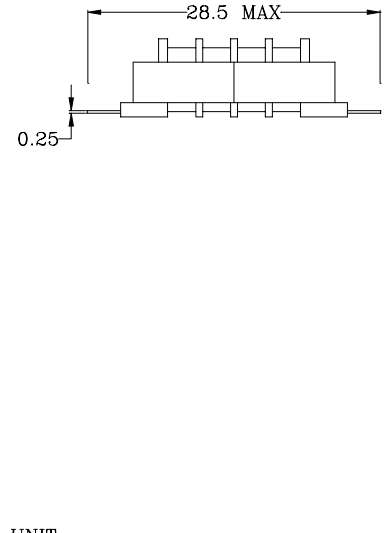
UNIT : mm

Mechanical A



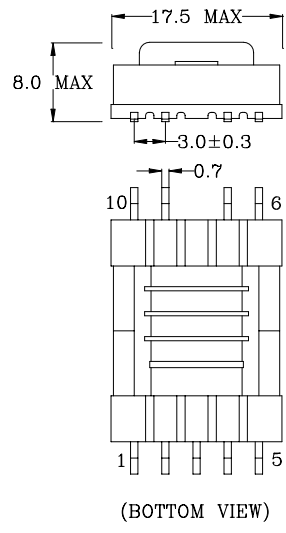
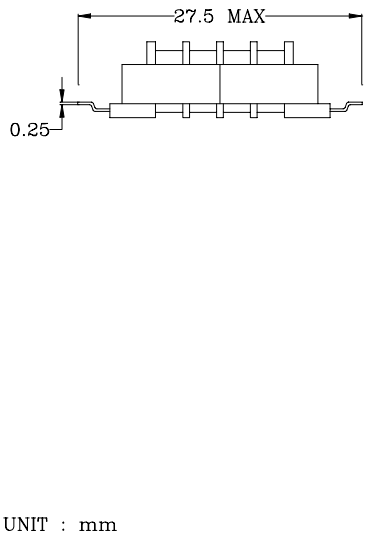
UNIT : mm

Mechanical B



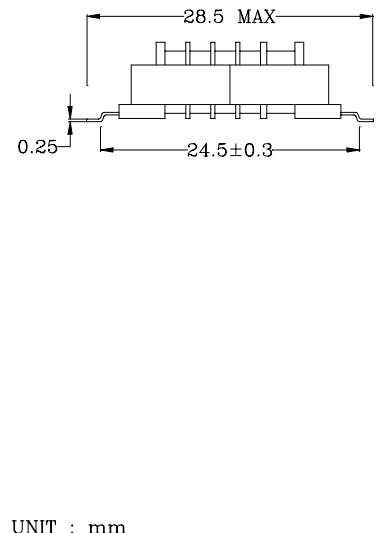
UNIT : mm

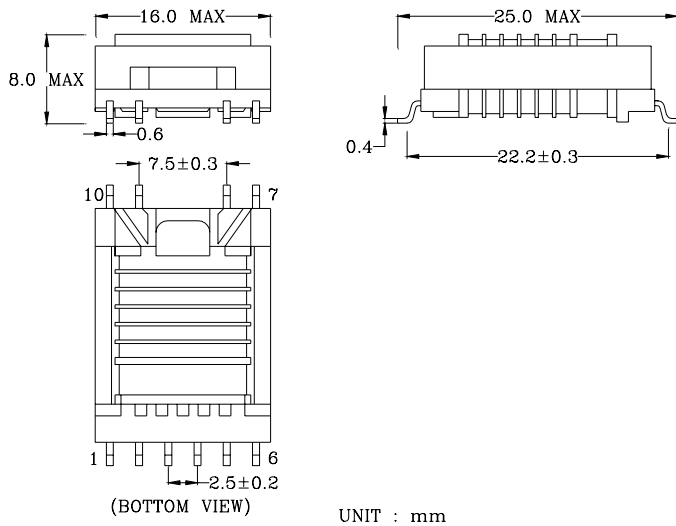
Mechanical C



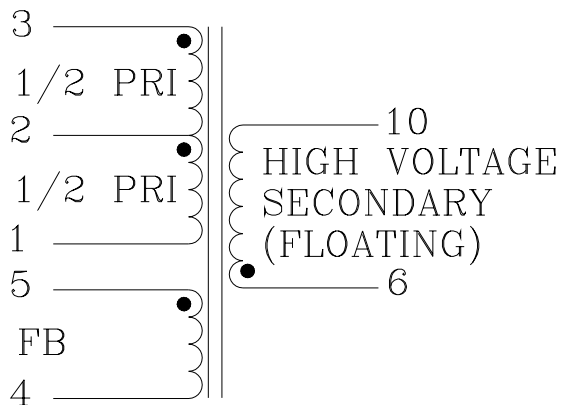
UNIT : mm

Mechanical D

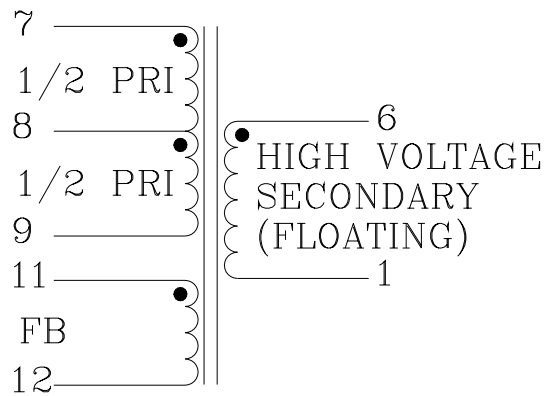




Mechanical E



Mechanical A~D



Mechanical E

ELECTRICAL SPECIFICATIONS AT 25

Part No.	Suitable Frequency	Input Voltage	Max. Open Voltage	Output Currents	Efficiency	Mechanical
EFL-10601	20KHz~150KHz	3.3V±10%	1300V	10mAac	75% min.	A,B,C,D,E
EFL-10602	20KHz~150KHz	4.5V±10%	1300V	10mAac	75% min.	A,B,C,D,E
EFL-10603	20KHz~150KHz	5.0V±10%	1300V	10mAac	75% min.	A,B,C,D,E
EFL-10604	20KHz~150KHz	6.5V±10%	1300V	10mAac	75% min.	A,B,C,D,E
EFL-10605	20KHz~150KHz	7.0V±10%	1300V	10mAac	75% min.	A,B,C,D,E
EFL-10606	20KHz~150KHz	12V±10%	1300V	10mAac	75% min.	A,B,C,D,E
EFL-10607	20KHz~150KHz	24V±10%	1300V	10mAac	75% min.	A,B,C,D,E